

## PA300 SERIES MINI AMPLIFIERS



IMPROVED



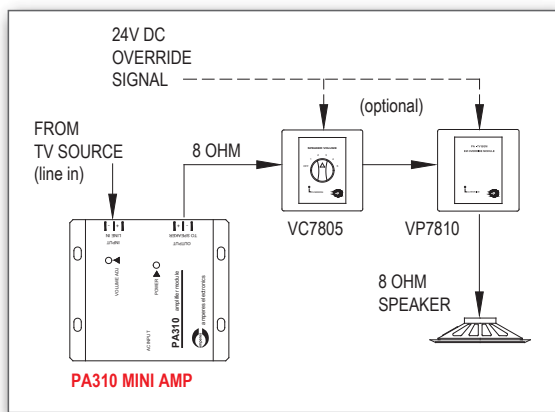
10W 4 OHM MINI AMPLIFIER | **PA310**  
 20W 4 OHM MINI AMPLIFIER | **PA320**  
 30W 100V LINE MINI AMPLIFIER | **PA330**

Amperes PA310 and 320 are mini amplifiers used to amplify BGM signal to a speaker of 4 or 8 Ohm, such as from TV output to a bathroom speaker in a hotel room. Amperes VC7805 volume controller and VP7810 BGM-Speaker patch panel can be installed if required to allow emergency paging to be announced at the speaker.

Other applications include simple mic calling system at counters or as an amplifier module to some other system which need to broadcast audio output to a speaker, ie. queue management system or telephone intercom.

POWER AMPLIFIERS

### APPLICATION SCHEMATIC -



### FEATURES -

- Available in 10 or 20W 4 Ohm rating or 30W 100V line
- Adjustable volume control for volume preset
- Compact size for easy installations



Amperes PA330 has higher rating of 30W 100V line which accepts unbalanced line input. It can be used as remote amplifier in a decentralised PA system. Among applications include classroom paging and paging for remote station.

Using TS6100 (step down module) shall allow PA330 to accept 100V line input and thereby a very large network of paging can be implemented in a wider area.

### TECHNICAL SPECIFICATIONS -

	PA310	PA320	PA330
Rating	10W 4 Ohm	20W 4 Ohm	30W 100V Line
Operating Voltage		230 ~ 240V ac	
Current consumption	0.06A	0.14A	0.17A
Input signal		Mono ; unbalanced line	
Input sensitivity		40 mV	
Max input		1.2V	
Input impedance		100 K Ohm	10 K Ohm
Frequency response		100 ~ 18 KHz (+/- 3 dB)	150 ~ 15 KHz
Controls		Input volume preset	
Dimensions (WxHxD)		130 x 55 x 95	160 x 95 x 170
Weight (kg)	440 g	750 g	2.8 kg