



## PD2000 SERIES



**EX2800**  
**EXT. CONNECTION UNIT**  
Size : 113 x 80 x 35 mm  
Weight : 140 gms

## DIGITAL PAGING MICROPHONE | PD2800

PD2800 shall be suitable for large setup, offering wide range of features with affordable pricing. Up to 108 zones can be stored in the paging desk's memory and total capacity of zoning shall be up to 256 zones. 9 groupings, each with 12 zones can be programmed for paging convenience.

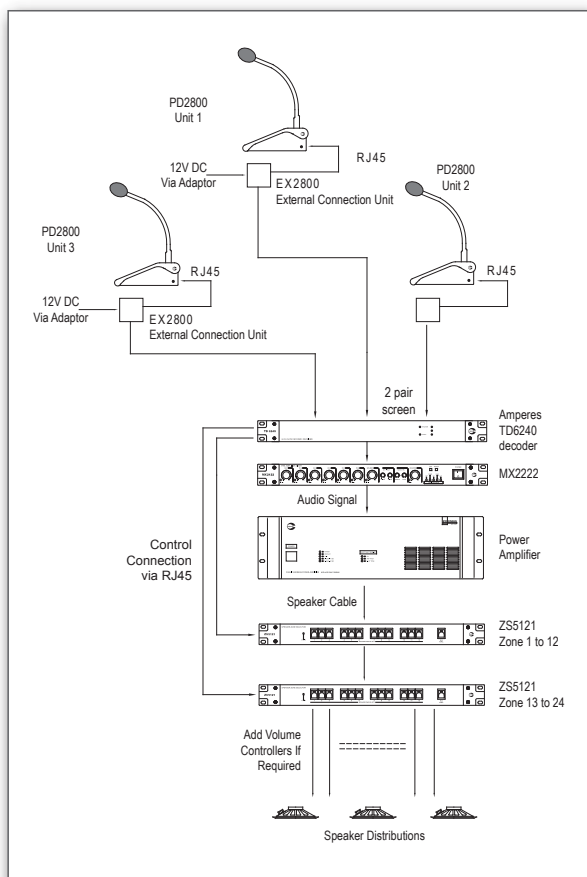
Multi point paging, connected in series using EX2800 would form a large network of paging points. 3 circuits or loops are allowed to be connected to TD6240 zone decoder with priority setting.

### FEATURES -

- 108 zone storage capacity with 9 programmable groupings, each shall consist of 12 zones
- Capable to page to 256 zones
- One touch button for ALL CALL activation
- RS485 data transmission for long distance remote paging, decoding via TD6240 and zone selection via Amperes zone selectors
- Flexibility in cabling for large setup ; looping or star
- Multi point paging setup with 3 priority lines
- LCD display for ease of paging and programming
- User selectable chime output tone
- Chime and mic volume control

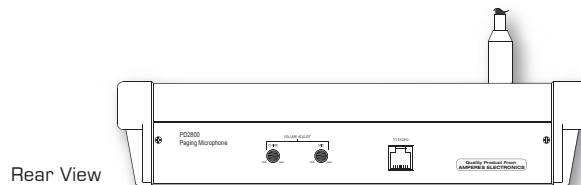
**NOTE :** Can be used with Matrix system.

### APPLICATION SCHEMATIC -



### TECHNICAL SPECIFICATIONS -

Power requirement	24V DC 1A via adaptor to EX2800
Power consumption	0.42 A
Microphone	Condenser microphone ; cardioid
Zoning capacity	256
Zone storing capacity	108
Grouping capacity	9 groups ; each to store 12 zones
Output impedance	600 Ohm balanced
Output level	Line 1.2 V
Output controls	Chime and mic level
Chime	2 or 4 tones ; assignable
Frequency response	100 ~ 12 KHz
S/N ratio	> 60 dB at 1 KHz
Data output	RS485 ; 19.2 KBs
Data connection	RJ45 to EX2800 via Cat 5E / 6 cable
Compatible decoder	TD6240
Operating distance	Up to 1000m (sub. to cable size)
Memory duration	1 year (internal battery)
Gooseneck mic length	400 mm
Dimensions (WxHxD)	292 x 62 x 186 mm
Weight (kg)	1.3 kg (excl. adaptor)



- |                                 |                               |
|---------------------------------|-------------------------------|
| <b>Standard package</b>         | <b>Packing information</b>    |
| 1 x PD2800 paging desk          | Qty per carton : 1 unit       |
| 1 x EX2800 ext. connection unit | W x H x D : 512 x 83 x 288 mm |
| 1 x 24V DC power adaptor        | Weight : 2.1 kg               |
| 1 x 1m Cat 5 cable RJ45 jack    |                               |