



MATRIMIX PAGING SYSTEM

IMPROVED



8 X 8 MATRIX PAGING CONTROLLER | MxP2188

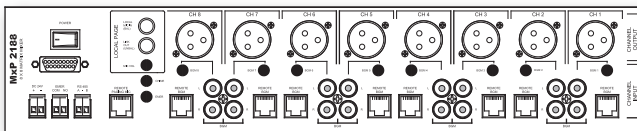
MxP2188 caters for a more delicate requirements of a PA system where every zone shall have flexibility over choice and taste of what should be listened to. It shall be able to cater for small to medium size installations of up to 128 zones such as office, club house, bungalow and entertainment centre.

While conventional matrix system only perform signal routing, MxP2188 does more than that. Essential features for a commercial PA system such as emergency overriding, remote mic zone selection, audio monitoring, chime and recording are available as an integral part of the unit.

FEATURES -

- 8 input and 8 output Matrix controller with inputs of either Mic or BGM or fed from remote source panel
- Individual channel setup for bass, treble and volume
- Built in chime with selectable 2 or 4 tone output
- Built in voice recorder of up to 60 seconds
- Audio output monitor for every zone
- Remote triggering port for message and siren
- Priority override dry contact port whenever ALL CALL is triggered
- Microphone input for paging at rack
- Remote paging desk connectivity to Amperes PD1160 / PD2400 or PD2800

Rear View



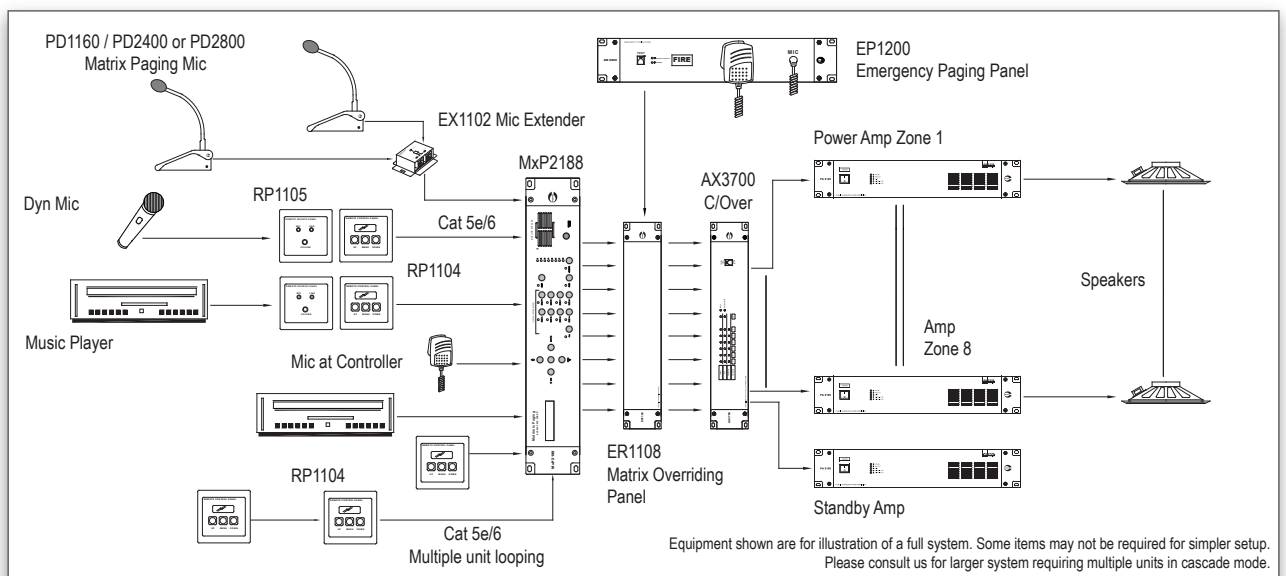
Packing information

Qty per carton : 1 unit
 W x H x D : 550 x 175 x 420 mm
 Weight : 7.2 kg

TECHNICAL SPECIFICATIONS -

Configuration	8 x 8 ; Cascade to 8 x 128
Power source	24V DC ; 2A via adaptor
Inputs	8 local BGM - unbal. line or 8 remote BGM via RP1105 1 remote paging mic PD1160 1 local mic input
Input connections	RJ45 (remote) / RCA jack XLR for local mic input
Input volume control	Manual adj. at each channel
Bass and treble control	+12 dB to -12 dB ; digital select
Phantom power	12V DC (local mic in only)
Priority input	Local page, E/M message
Chime	2 or 4 tone built in
Message recording	60 secs max in single bank
Output	8 x balanced line output
Zone selection	Remote paging mic (PD1160) ; Front panel with ALL CALL
E/M override contact	3A dry contact
Audio monitor	Source monitor with volume control via 3W speaker
Communication	RS485 ; 19.2 Kbps
Remote triggering	Message (ALL CALL) Message (ALL CALL / individual)
Dimensions (WxHxD)	482 x 88 x 300 mm
Weight	6.0 kg

APPLICATION SCHEMATIC -



Equipment shown are for illustration of a full system. Some items may not be required for simpler setup. Please consult us for larger system requiring multiple units in cascade mode.