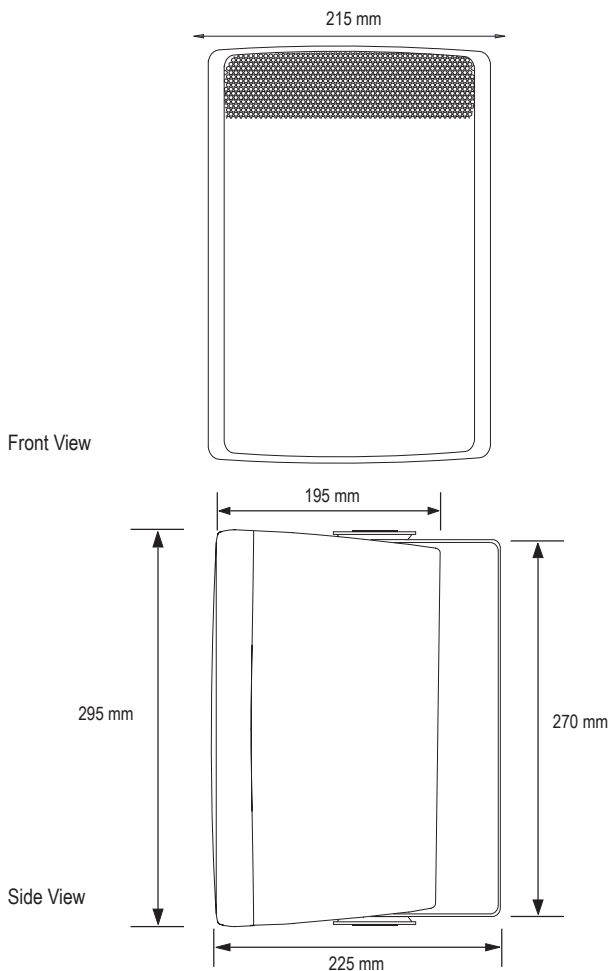


Introduction

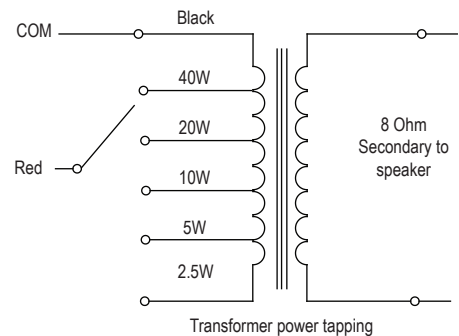
FS640 is a full range speaker with 6" of driver size complete with matching transformer, selectable power switch and mounting bracket.

Suitable for foreground soft music such as restaurants, shops and general sound reinforcement in meeting room, corridors, etc.

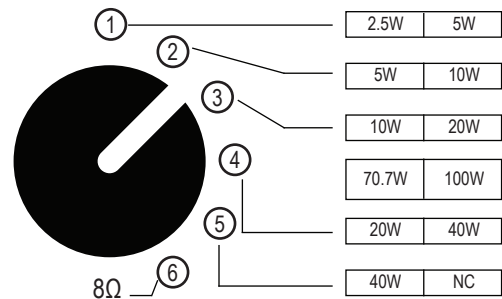
Speaker Dimension



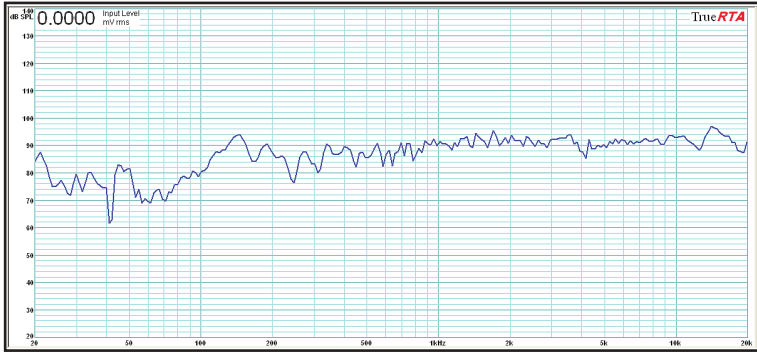
Circuit Diagram



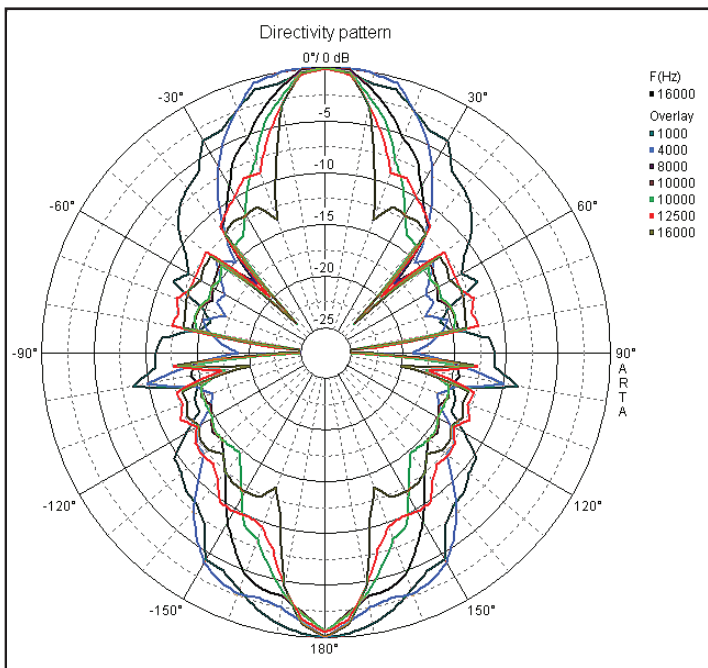
Rotary Power Switch



Frequency Response Chart



Polar Chart



SPL - Distance Chart

TAP	1M	2M	3M	4M	5M
2.5W	92	86	82.5	80	78
5W	95	89	85.5	83	81
10W	98	92	88.5	86	84
20W	101	95	91.5	89	87
40W	104	98	94.5	92	90

The above chart shows the co-relation of SPL and distance from speaker based on the characteristics of FS640, at 1 kHz.

Different frequencies may have different dB values at hearing point.

Technical Specifications

Speaker

Power rating	40W 100V line
Diameter	6" (150 mm)
Speaker type	2 way speaker with tweeter
Impedance	8 Ohm
Freq response @ 1kHz +/- 3dB	70 - 18 kHz
SPL @ 1W / m (+/-3dB) 1 KHz	88 dB

Transformer

Tapping (100V line)	2.5 / 5 / 10 / 20 / 40W
Primary impedance (Ohm)	4K / 2K / 1K / 500 / 250 / 8
Secondary impedance (Ohm)	8

Physical

Grille / enclosure	ABS enclosure with metal grille
Overall size (WxHxD)	215 x 295 x 195 mm
Weight	3.70 kg
Colour	White and Black

Packing Information

Carton box dimensions	470 (W) x 420 (H) x 330 (D) mm
Weight	16.35 kg
Packing quantity	4 Uts

Safety Standards:



100 9001:2015
Design & Manufacture of Public Address Equipment and Systems
Certificate No. 15895 / A / 0001 / UK / EN