

- iPA5060** 60W 100V
- iPA5120** 120W 100V
- iPA5240** 240W 100V
- iPA5360** 360W 100V

improved

iPA5000 series of ethernet power amplifiers has been improved with added power ratings of 240 and 360W 100V line. They are now powered by the high efficiency and better performance Class D amplifier circuits with reduced physical size and weight.

They are suitable for decentralised IP PA systems in mid to large installations such as in parks, classrooms, high rise buildings, resorts, ports as well as security pole alarm system.

iPX5000 has local audio source input with selectable line or mic level to enable local paging such as in classrooms, park entrances or kiosks. The local source shall be bypassed if central paging or EVAC broadcast with higher priority is activated.

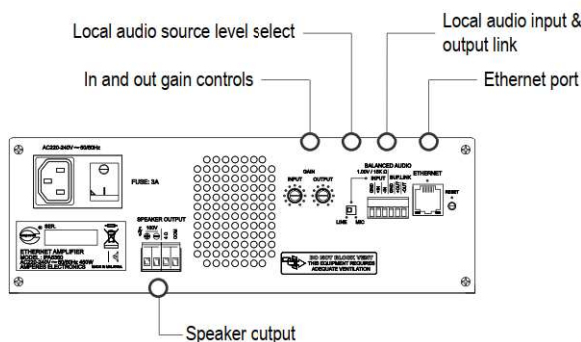


## Features

- Available in 60 / 120 / 240 and 360W 100V line output
- High efficiency Class D amplifier
- Plays remote LAN BGM / paging and Local input
- Local mic / line source input; toggle via a push button switch
- Audio priority level to comply with EN54 / BS Standards
- Auto muting function for Emergency Broadcast from central paging system

### Packing information

Carton size : 295 (L) x 260 (W) x 115 (H) mm  
 Gross weight : 3.40 kg  
 1 unit per carton



## Technical Specifications

	iPA5060	iPA5120	iPA5240	iPA5360
Power rating ( W rms 100V out )	60 W	120 W	240 W	360 W
Operating voltage	220 - 240 V AC : 50 / 60 Hz			
Power consumption - load ( 240V ac )	115 W / 0.8 A	160 W / 1.1 A	285 W / 2.0 A	450 W / 2.9 A
Power consumption - standby ( 240V ac )	18 W / 0.25 A			
Analogue input sensitivity	Balanced : line - 1 V rms / Mic - 50 mV rms			
Input impedance	Line - 10 k Ohm / Mic - 6 kOhm			
Gain controls	- 40 to 4 dBu			
THD + N at rated power	< 0.2 %			
S/N ratio	> 68 %			
Frequency response	120 - 20 kHz ( +/- 3 dB )			
Output voltage ( at 4 Ohm )	50 V Max			
Network / Paging protocol	TCP / IP, UDP, HTTP, ADP			
Playback format	WAV, MP3			
Tone / volume controls	5 band EQ / local input / streaming input / speaker output			
Local / remote stream selection	Push button			
Line / mic level selection	Slide switch			
User interface	Web browser ; Google Chrome / MS Edge, Firefox			
Protections	Thermal (70 Deg C ), over current, short circuit, AC fuse			
Indicators	Power, linke status to paging server, streaming, local input source active			
Cooling system	Thermostat auto fan switching at 45 Deg C			
Operating temperature / humidity	-10 to 70 Deg C			
Dimensions ( W x H x D )	250 x 83 x 200 mm ( excluding hinge )			
Weight	3.10 kg			

