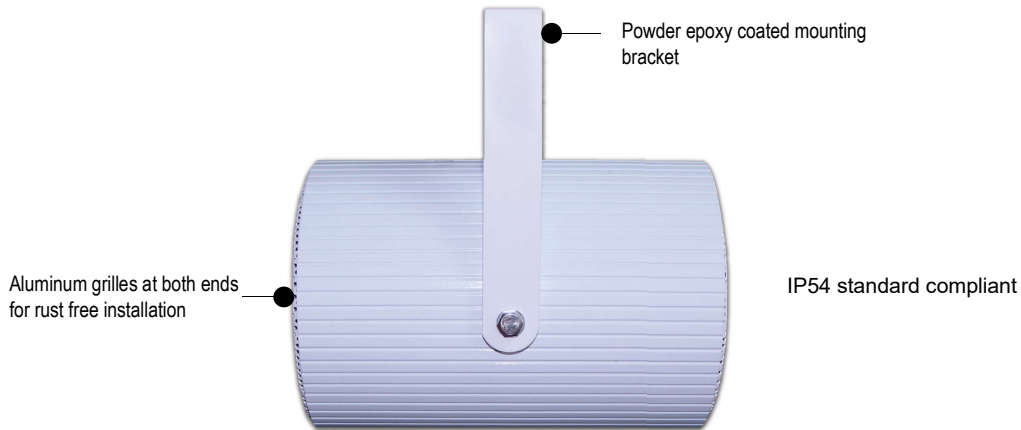


SP319

20 / 40W 100V Line Bidirectional Sound Projector



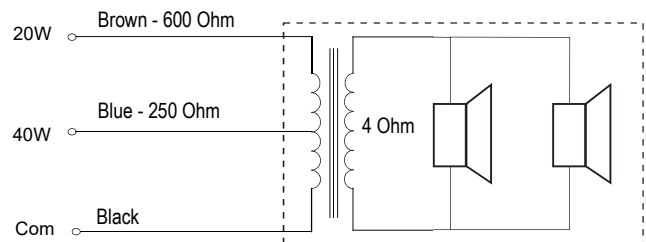
Introduction

SP319 is a bidirectional sound projector which is suitable for installations in places such as corridors, tunnels, walkways and car parks. Bidirectional audio projection will normally lessen the numbers of speakers to be installed, providing coverage to both sides of the speakers which normally would required two units.

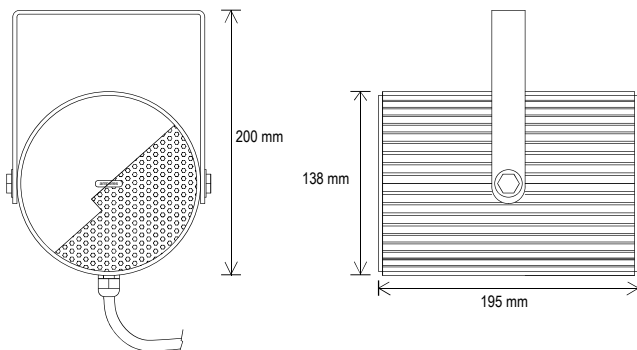
SP319 is driven by dual 5" speaker, providing clearer sound as compared to conventional horn speakers with wider frequency response. Two power taps are provided with 20 / 40W with 100V line inputs.

With its narrower dispersion angle as compared to other speakers, it is thereby most suitable to be used in enclosed, narrow areas of installation to avoid sound reflections.

Circuit Diagram



Physical Dimensions



Technical Specifications

Electrical :

Power rating	40W 100V line
Speakers	2 x 5"
Operating voltage	70 / 100V inputs
Power taps	20 / 40W
Primary impedance	600 / 250 Ohm (+/- 5%)
Secondary impedance	4 Ohm

Performance :

Frequency response @1W, 20-20 kHz	150 ~ 18 kHz
SPL @1W/m, 20-20 kHz	91 dB
Max SPL @ 1m, 1 kHz	104 dB
Coverage angle (1 kHz) +/- 6dB	20 deg
(4 kHz)	60 deg
(8 kHz)	100 deg
Operating temperature	-5 to 45 degree
Humidity	<90 %

Physical :

IP ratings	IP 55
Grilles / Enclosure	Aluminum
Overall size w/o brackets	138 dia x 195 mm
Weight	3.0 kg
Colour	White

The above specifications are subjected to change without prior notice due to our continuous product improvement policy. These data are correct at the time of printing.