

Technical Specifications

Introduction

HS820 is constructed with high quality ABS material suitable for indoor and outdoor application (IP 65 rated).

Its rectangular flare provides more controlled audio dispersion and most suitable for areas such as car parks, wide corridors, parks etc.

Packing information

HS822 : 550 (L) x 480 (W) x 520 (H) mm
: 21.30 kg
: 12 uts per carton



| | |
|-----------------------------|--|
| Power rating | 15W 100V line |
| Power tapping (W) | 1 / 3 / 5 / 10 / 15 |
| Primary Impedancer : | 1 670 Ohm 2 1 K Ohm 3 2 K Ohm 4 3.3 K Ohm 5 10 K Ohm |
| Freq response@ 1KHz +/- 3dB | 250 ~ 8 KHz |
| SPL (1 W/m @ 1 KHz) | 105 dB |
| Flare material | ABS |
| Flare dimension | 220 x 160 mm |
| Overall size | 222(W) x 162(H) x 232(D) mm |
| Driver enclosure | ABS |
| Weight | 1.50 kg |
| Colour | White cream |

Guide to Installations

1 : Unpacking and check contents

Unpack the horn speaker from the box, the following items shall be available:

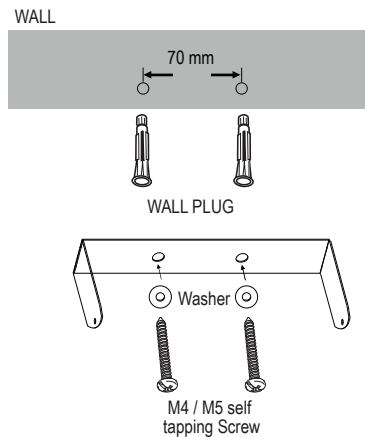
1. Horn unit
2. Horn wall mount bracket
3. Instruction manual

Recommended size for wall screw (not supplied in package):

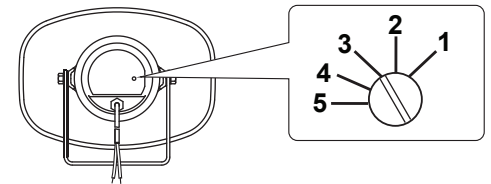
| | Diameter | Length |
|--------------|----------|--------|
| 1) Screw | M4/M5 | 30mm |
| 2) Wall Plug | 9mm | 30mm |

Dismantle the speaker bracket from the unit in preparation to install the speaker bracket to the wall.

2 : Install wall mount bracket to wall



3 : Setting the Input Power (Impedance)



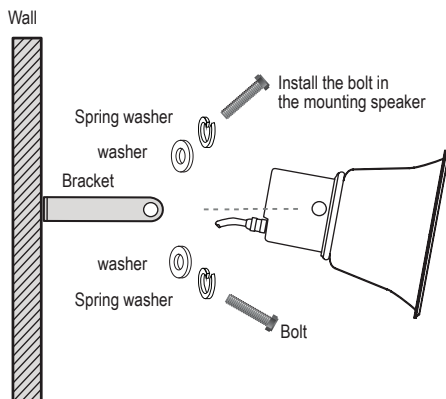
Output power selection chart:

| Tap | 1 | 2 | 3 | 4 | 5 |
|-----------|-----|----|----|------|-----|
| Power (W) | 15 | 10 | 5 | 3 | 1 |
| Imp (Ohm) | 670 | 1K | 2K | 3.3K | 10K |

Before fixing the horn to the speaker, adjust the power rating of the unit, to suit the site requirement.

Turn the rotary switch (on the rear side of the speaker) to set it to the desired input impedance using a slotted screwdriver.

4 : Install speaker to bracket on the wall



With the bracket securely installed to the wall, mount the horn speaker to the speaker bracket with the screw provided.

Tilt the angle of horn unit before final tightening of the speaker to the bracket.

5 : Cable termination

