

Introduction

A more cost effective with higher power rating sound projector SP220 is 20W version built using ABS plastic for its body with metal grille.

Packing information

SP220 : 550 (L) x 425 (W) x 180 (H) mm
: 11.30 kg
: 6 uts per carton

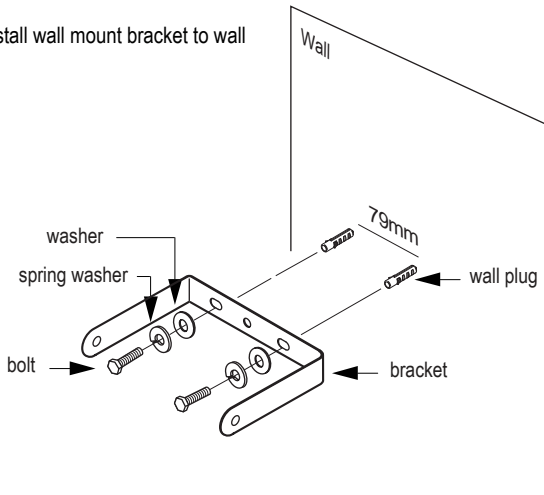


Technical Specifications

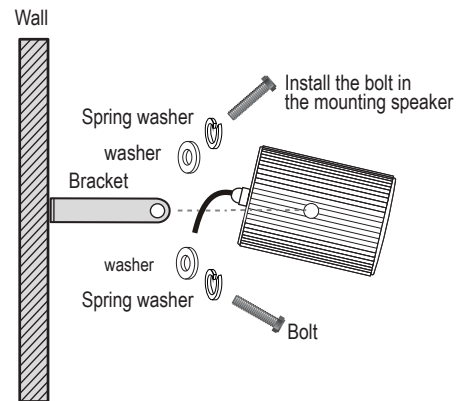
Power rating	20W 100V
Power tapping (100V Line)	7.5 / 15 / 20W
Speaker	5"
Primary impedance (Ohm)	1.3 / 0.67 / 0.5K
Secondary impedance (Ohm)	8
Frequency response @ 1 KHz +/- 3dB	90 - 15 KHz
SPL (1W / m @ 1 KHz)	90 dB
Grille / enclosure	Mild Steel / ABS
Overall size (WxHxD) mm	140 (D) x 195 (H)
Weight	1.60 kg
Colour	White

Guide to Installations

1 : Install wall mount bracket to wall

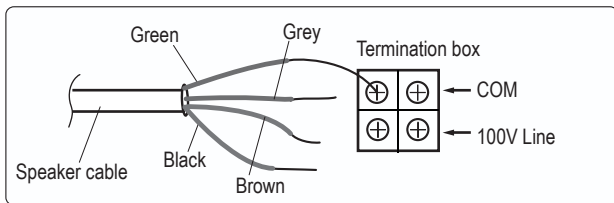


2 : Install speaker to bracket on the wall



3 : Cable termination

Speaker Termination Box



Connect the Green, yellow, red or Blue wire to the terminal box, depend on the desired power ratings.

Black	COM
Green	7.5 W
Grey	15 W
Brown	20 W

4 : Installation complete

