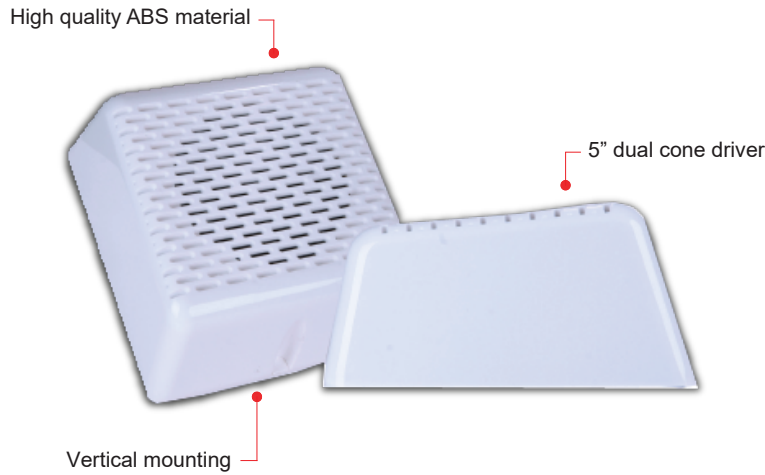


EVAC / Paging / BGM

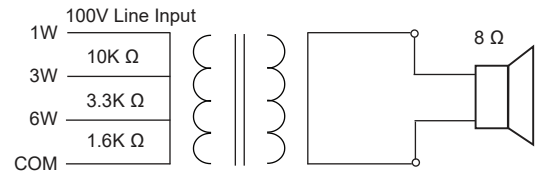


Introduction

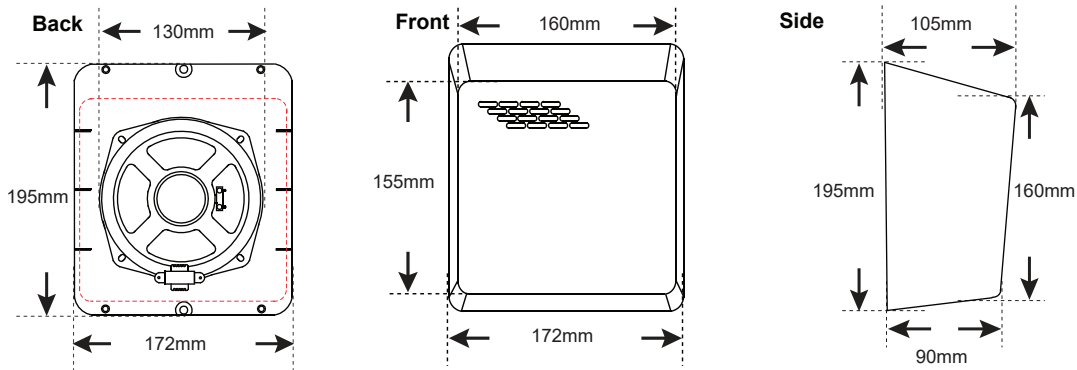
BS506 wall mount speaker are suitable for any type of sound reproduction, for both paging and background music. Available in white colour with high efficiency driver and line transformers.

- Tough ABS plastic construction
- Clear Speech reproduction for paging
- Suitable for background music application
- High efficiency drivers and line transformers

Circuit Diagram



Physical Dimensions



Design Assistance

BS506 speaker is suitable for wall mount and ceiling slab mounting. They are widely used at staircase, small room, column beam and etc.

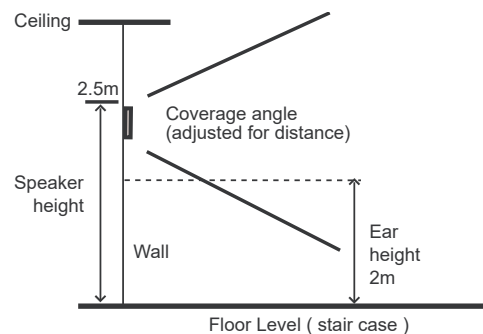
As a guideline, the placement of BS506 ceiling speakers shall be as :

Mounting Height	Distance of Speakers	Coverage Area
2.5 m or less	4 m	Appr 16 m sq
2.5 m to 4 m	3.5 m	Appr 12 m sq
4.0 m to 6 m		Appr 10 m sq

Note :
Based on 3W power input tapping to speakers, with targeted 85 dB at Listening point.
Exclude power loss due to cabling

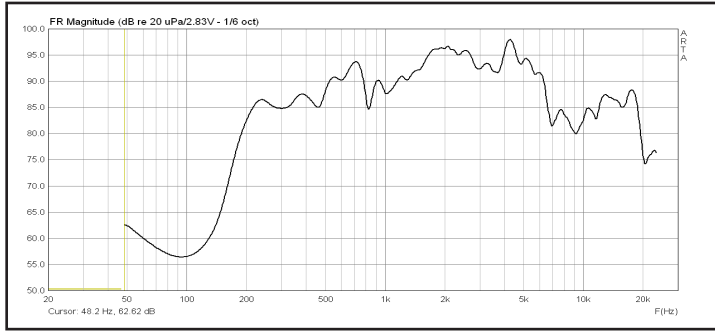
In order to hear properly, the sound source from speaker shall be minimum 6 dB above the background noise.

If the background noise is around 70 dB, such as in a shopping area with average crowd, the person shall be listening to the speaker sound at approximately 76 dB, at around 1.5 to 2m above floor level.

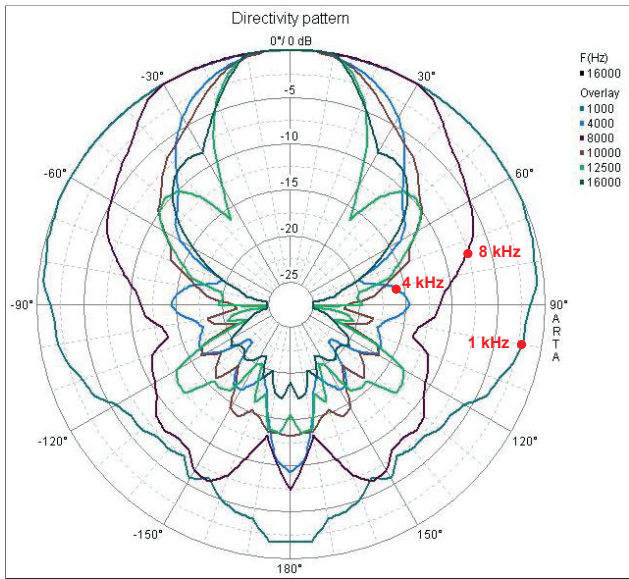


If the power input to BS506 is 3W, the SPL (1KHz) at 2 m from speaker shall be approximately 92 dB. With music source, the average SPL shall be 3 dB below; thereby the hearing shall be around 89 dB, which is rather comfortable level in a shopping mall.

Frequency Response Chart



Polar Chart



Technical Specifications

Speaker

Power rating	6W 100V line
Diameter	5" (127 mm)
Cone type	Dual Cone
Impedance	8 Ohm
Freq response (+/- 6 dB)	100 - 15 kHz
SPL @ 1W / m (+/-3 dB) ; 1 KHz	93 dB
Dispersion angle (+/- 6 dB)	180 deg (1 kHz) 120 deg (8 kHz)

Matching Transformer

Tapping (100V line input)	1 / 3 / 6W 100V line
Primary impedance	10 K / 3.3 K / 1.6 K Ohm
Secondary impedance	8 Ohm

Physical Dimensions

Grille / enclosure	ABS plastic
Air perforation	50%
Overall size	172 x 195 x 105 mm
Weight	0.78 Kg
Colour	White

Safety Standards: EN55013 EN61000 EN55020



ISO 9001:2015
Design & Manufacture of Passive Address Equipment and Systems
Certificate No. 18895 / A / 0001 / UK / E0