



Technical Specifications

Speaker	
Power rating	6W 100V line (Max 10W)
Diameter	5" (125 mm)
Cone type	Dual Cone
Impedance	8 Ohm
Freq Response @ 1KHz +/-3 dB	150 - 19 KHz
SPL @ 1W / m (+/-3dB) 1 KHz	92 dB

Matching Transformer	
Tapping (100V line input)	1.5 / 3 / 6W 100V line
Primary impedance	6.7 K / 3.3 K / 1.67 K Ohm
Secondary impedance	8 Ohm

Physical Dimensions	
Grille / enclosure	Metal grille / ABS plastic
Cutting hole dimension (mm)	145 mm
Overall size	165 dia x 110 h mm
Weight	740 gms
Colour	White

Packing Information	
Carton box dimensions	360 W x 400 H x 710 D mm
Weight	22.70 kg
Packing quantity	24 uts

Introduction

CS510 is a general purpose and cost effective ceiling speaker with nominal power rating of 6W 100V line. With only quality of finishing and optimum sound reproduction in mind, they shall be the best choice to enhance your installations ! and cost effective too.

Among the outstanding features are the installation mechanism - spring clips which is flexible to flip but strong in holding.

The slim edge design, coupled with the low profile height, brings out the coziness of the installation.

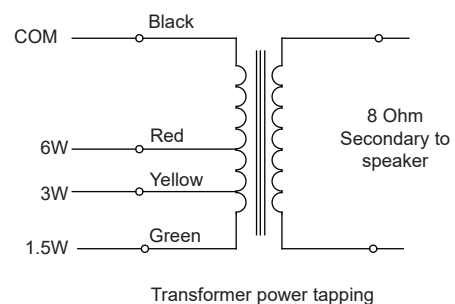
It is suitable for Speech and soft background music playback in areas such as :

- Hotel corridors / lobbies
- Offices
- Shopping centres for general paging and pipe in music
- Public areas

Features

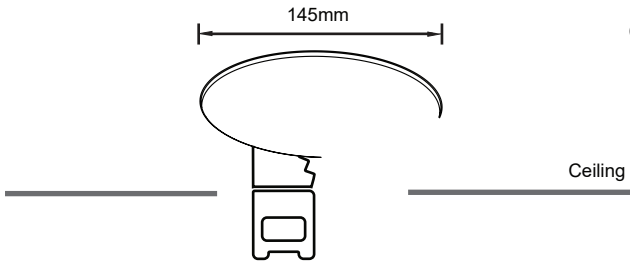
- Slim edge with low side profile
- High quality ABS with optional FR
- Easy spring clip installation
- Epoxy mesh for rust proof
- Non enclosure as optional

Circuit Diagram



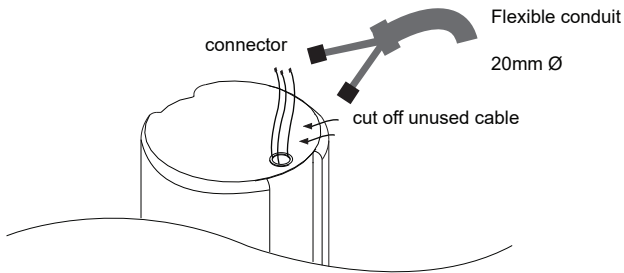
Guide to Installation

1 Cut a hole at ceiling



Cut a 145mm diameter hole at the ceiling.

2 Connect cable



Colour code:-

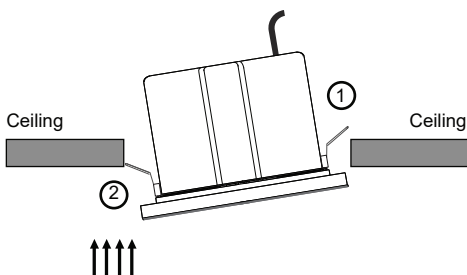
- Black - Red ~ 6W
- Black - Yellow ~ 3W
- Black - Green ~ 1.5W

Cut off the loose cable's conductor to avoid shorting or tape them with insulation tape.

Insert conduit:

Upon completion of cable termination, the connector can be inserted inside the conduit, and thereafter slot in the conduit into the speaker hole at the back enclosure. The overall installation would look neat.

3 Insert speaker to ceiling hole



Slot the speaker into the cut hole in slant position initially by the first spring ① and thereafter the second spring ②

If it is required to uninstall the speaker, use a flat screw driver to pull down the speaker's edge.

