

EVM8810 1000W 100V Controller / Master
EVS8820 1000W 100V Slave Extension

Introducing an integrated voice alarm controller from Amperes. It is suitable for small scale installations of up to 24 zones, which is compact and containing all components essential for EVAC and BGM system. As such, it is not only providing substantial savings on rack space but also overall costings of building up a small system with individual components.

new



- ✓ Compact
- ✓ Cost Saving
- ✓ Versatile
- ✓ Multi Features

The core of the system is the EVM8810 which is a master unit which has built in 1000W 100V with 8 zones of speaker lines. If the overall installation requires more than 8 zones, the output channels can be further expanded by using EVS8820. Additional 2 extensions can be added to make overall installation to be 24 zones.

The components included are audio mixer, emergency handheld paging with highest priority, 4 banks of prerecorded message, zone selector, built in amplifier changeover, siren tone generator, media player and audio monitoring speaker. It can be connected to external Amperes PD series of paging mic for zone paging and other external audio sources.

Features



Class D Amplifier

Light weight, energy efficient and wider frequency response of Class D amplifier is the engine providing quality sound output of EVM.



Lesser Maintenance

With lesser equipment count in the system, it means lesser maintenance task to be carried out on individual equipment. In short lesser cost in the long run.



Lower Costs

With most components to enable a complete EVAC system packaged in a single equipment, EVM8810 is effectively able to reduce the overall cost for a perfect system.

- Priority paging with sequence to comply with fire regulations, such as muting of BGM by paging mic or message playback with front emergency paging having highest priority.
- Standby amplifier input available for master and slave unit should the amplifier module failed, to ensure continuous uninterrupted operation.
- Cascadable from one master controller to slave unit with added amplifier power and number of zones for larger installations.
- Flexible addressing which would allow interfacing EVM8810 with existing Amperes PA setup.
- Allows external zone selector should a single EVM8810 is used but requires more than 8 zones without having to add slave EVS8820.
- Relay contacts available for overriding external volume controllers if emergency paging or message player is played.
- Integrated with media player which plays USB MP3 files, FM tuner and Bluetooth connectivity.
- Allows external Amperes companion devices such as PT1801 weekly timer, FI6000 fire alarm interface and external EP1200 emergency paging mic.
- Auto amplifier fault sensor (AFS) which monitor the function of amplifier to ensure the amplifier circuit is always working.
- User programmable message player with 4 memories, thus the need of external EVAC message player is not required.
- Compatible with any Amperes PD series of paging microphone as external paging console.

Amplifier Extender

EVS8820

If more zones are required in the system, they can be expanded with additional 2 units, making a total of 24 zones.

Linking to slave is by simply connect the extension jack.

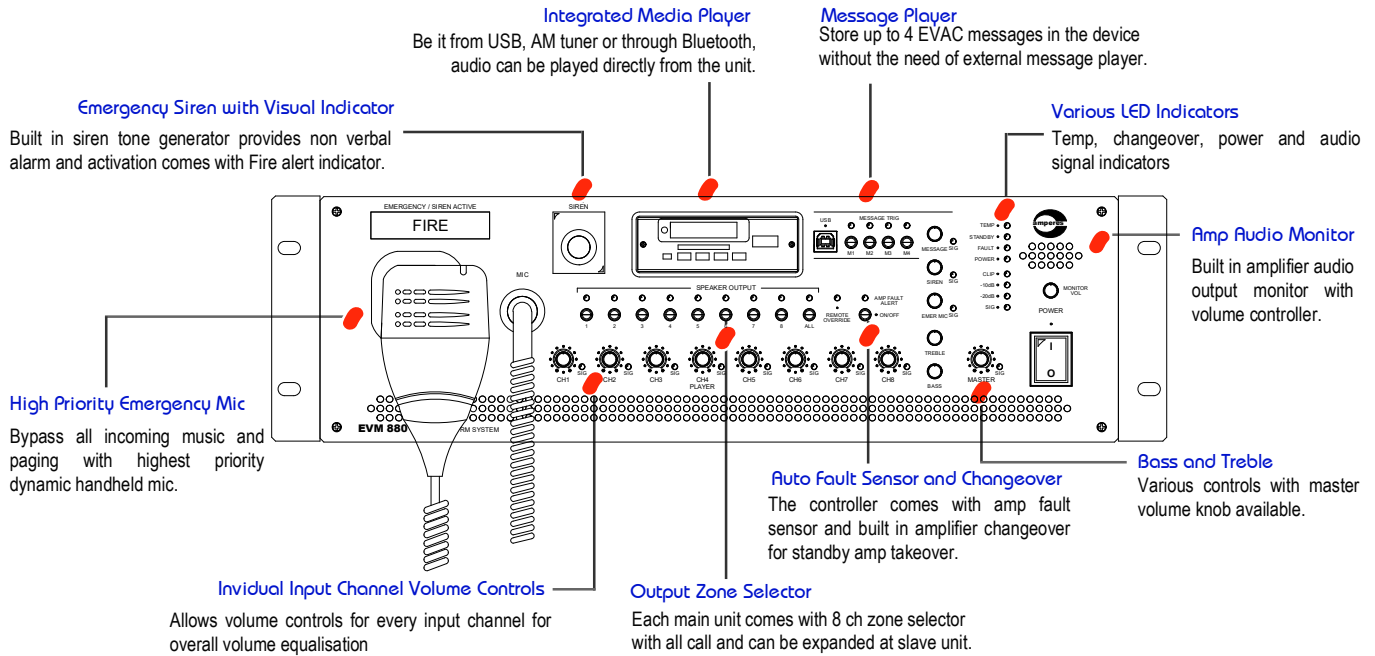


EVS8820 is 1000W 100V 8 zone amplifier extender



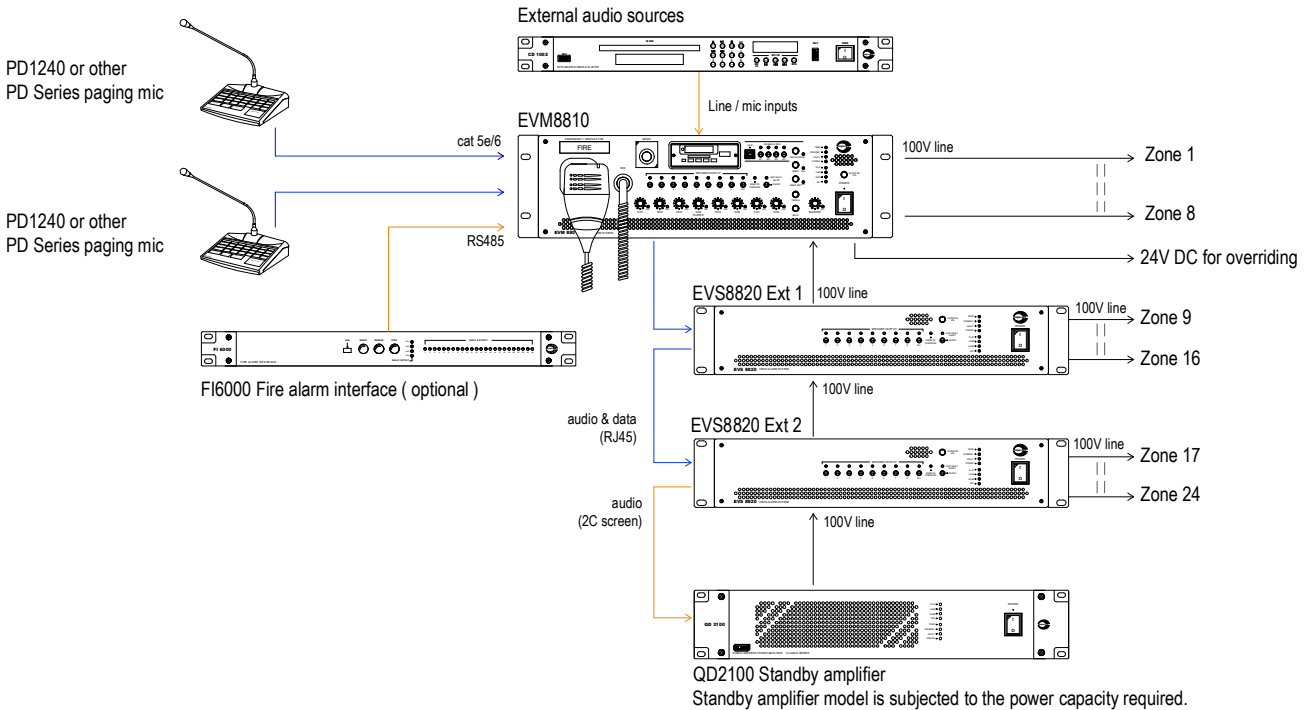
VOICE ALARM CONTROLLER

Functions Overview



Application Schematic

The illustrations below shows typical schematic for installation of up to 24 zones, which are catered by external extension amplifiers for speaker loading and zone quantity. In any instance that the total load in the setup is small (which is below 1000W) and the number of zones exceed 8 nos, Amperes TD6400 can replaces EVS8820.



VOICE ALARM CONTROLLER

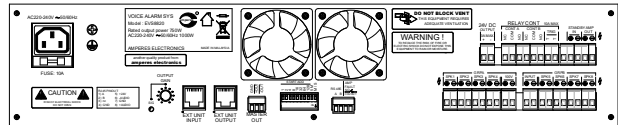
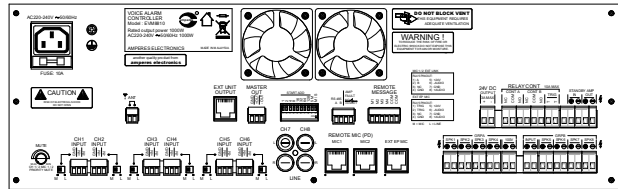
Rear Views

EVM8810

Inputs for each channels are provided with mini Phoenix connectors, suitable for fixed installations with Mic / Line level selections.

EVS8820

Links to master unit and subsequent link to slave made easy with dedicated port by using RJ45 connections.



Technical Specifications

	EVM 8810	EVS 8820
POWER REQUIREMENTS		
Power supply	220 - 240 V ac : 50 / 60 Hz	
Power rating (W at 100V line)	1000 W at 100 V line output	
Power consumption (full load) : 240V ac	1700 VA (7A)	1690 VA (6.9A)
Standby current at 240V ac	0.5 A	0.4 A
INPUTS		
Input channels	Ch 1 to 6 Mic / Line balanced, RCA x 2 Handheld PTT mic, message bank x 4 Siren, PD paging mic x 2 ports, USD / MP3 / FM / BT	Link line level : 0 dBu
Input sensitivity / impedance	External EP mic port Mic : 40 mA / 10 kOhm Line : 1.2 V / 10 kOhm	Line : 1.2 V / 10 kOhm
Input signal at standby	Switchable auto detect / always ON	
Frequency response	20 - 18 kHz (+/- 3dB @ 1kHz, 0 dBu)	
THD (+ Noise)	< 0.2 %	
Standby amplifier changeover	Built in changeover relay	
OUTPUTS		
Zone output	8 zones (front switch and remote paging with All Call)	
Audio output	Master line output, balanced 0 dBu	
Audio link to slave	Line balanced 0 dBu	
Emergency dry contact	3A ; NO relay	
Tone controls	Bass (100 Hz), Treble (10 kHz), 15 dB slope	
Output audio monitoring	Front speaker with volume controls	
CONTROLS / COMMUNICATION		
Controls	Individual channels, message, siren, emergency mic, bass & treble, master volume	Output volume
Communication control	RS485 ; 19.2 kbps	
Cascade / link	RJ45 port (line audio and RS485 data)	
Cascade quantity	3 nos (total 24 zones)	
Indicators	Signal, temperature, fault, power, message, and zone selection	Signal, temperature, fault, power, zone selection
Priority sequence (low to high)	BGM, paging mic, siren, message, remote	
Protections	Thermal, short circuit, overload and AC fuses	
Cooling system	Auto temperature controls	
Cut off temperature	75 Deg C	
PHYSICAL		
Dimensions (W x H x D) mm	482x 132 x 420	482x 88 x 420
Packing dimensions	550 x 225 x 500	550 x 180 x 500
Net weight (kg)	10.8	9.3
Gross weight (kg)	12.8	10.2

