

Introduction

HS830 model is constructed using rounded aluminum flare with multiple power selection via rotary switch.

Suitable for schools, mosques, car parks, factories at indoor or under shade installations and that requires omni direction sound broadcast.

Packing information

HS815 : 655 (L) x 655 (W) x 380 (H) mm
 : 13.30 kg
 : 4 uts per carton



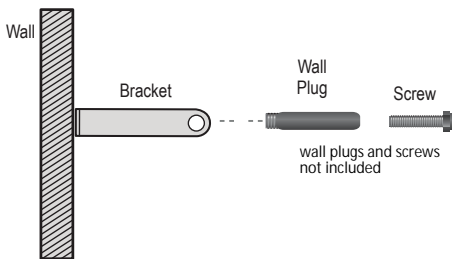
Technical Specifications

SPEAKER

Power rating	30W 100V line
Power tapping (W)	3 / 5 / 10 / 15 / 30
Impedance / Power :	1 330 Ohm
	2 670 Ohm
	3 1 K Ohm
	4 2 K Ohm
	5 3.3 K Ohm
Freq response (+/- 5 dB)	300 ~ 10 KHz
SPL (1 W/m @ 1 KHz)	105 dB
Flare material	Aluminum
Flare dimension	12" round
Dim (Dia x height)	310 x 345 mm
Weight	2.40 kg
Colour	Beige

Guide to Installations

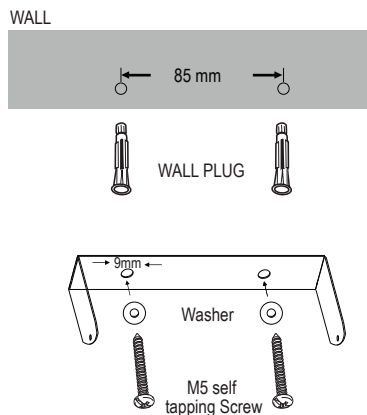
1 : Contents



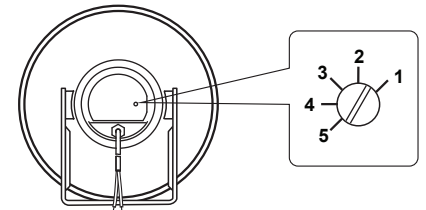
Recommended size for wall screw : **Diameter** **Length**
 1) Screw M5 30mm
 2) Wall Plug 9mm 30mm

Dismantle the speaker bracket from the unit in preparation to install the speaker bracket to the wall.

2 : Install wall mount bracket to wall



3 : Setting the Input Power (Impedance)



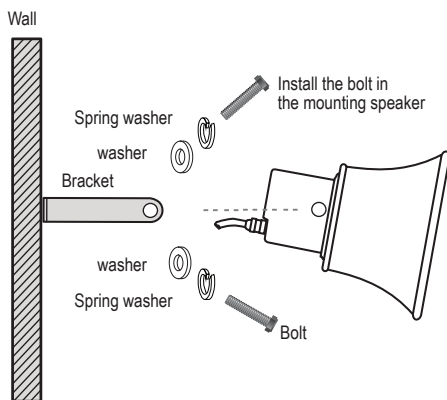
Output power selection chart:

Tap	1	2	3	4	5
Power (W)	30	15	10	5	3
Imp (Ohm)	330	670	1K	2K	3.3K

Before fixing the horn to the speaker, adjust the power rating of the unit, to suit the site requirement.

Turn the rotary switch (on the rear side of the speaker) to set it to the desired input impedance using a slotted screwdriver.

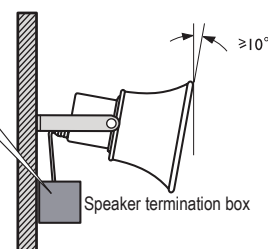
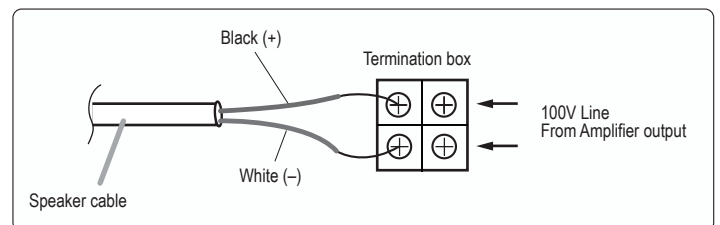
4 : Install speaker to bracket on the wall



With the bracket securely installed to the wall, mount the horn speaker to the speaker bracket with the screw.

Tilt the angle of horn unit before final tightening of the speaker to the bracket.

5 : Cable termination



Installation completed.