



**Introduction**

CS516 is a general purpose ceiling surface mount speaker, suitable for slab mounting. Its dual cone driver delivers good sound reproduction for speech and background music.



**Guide to Installation**

**1** Tools for installation

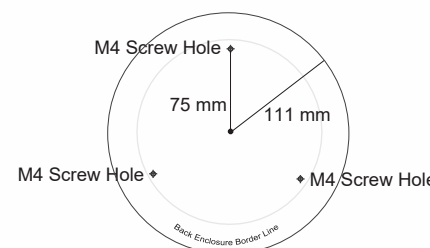
-  3 pcs x Wall Plug
-  3 pcs x screw for install speaker to ceiling

Recommended size for screw :

	Diameter	Length
1) Screw	M4	30mm
2) Wall Plug	6mm	30mm

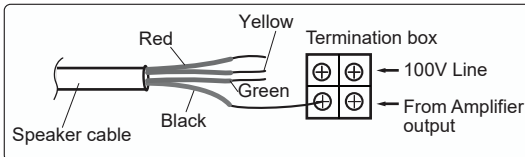
**Note:** Parts not supplied in package.

**2** Mark the screw mounting hole.



Mark the screw position properly, follow the template provided.

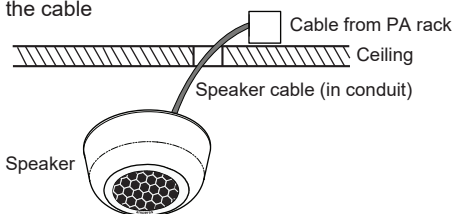
**4** Cable Termination



Connect either the Red, Yellow or Green wire to the terminal box, depend on the desired power ratings.

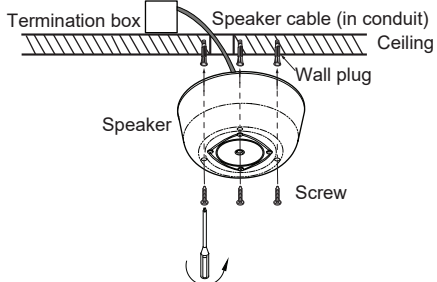
Red	6W
Yellow	3W
Green	1.5W
Black	COM

**3** Connect the cable



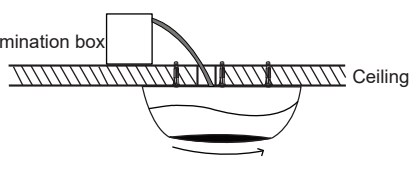
Connect the cable terminal to the speaker cables according to the required power rating. Terminate the incoming speaker cable to the selected transformer primary cable using a connector.

**5** Mounting speaker to ceiling



Remove the honeycomb grille by turning clockwise. Thereafter mount the speaker to the ceiling and fasten properly to secure the unit.

**6** Installing the grille to complete the installation.



Attach the speaker grille to the body by turning anti clock wise

The installation is complete as shown.

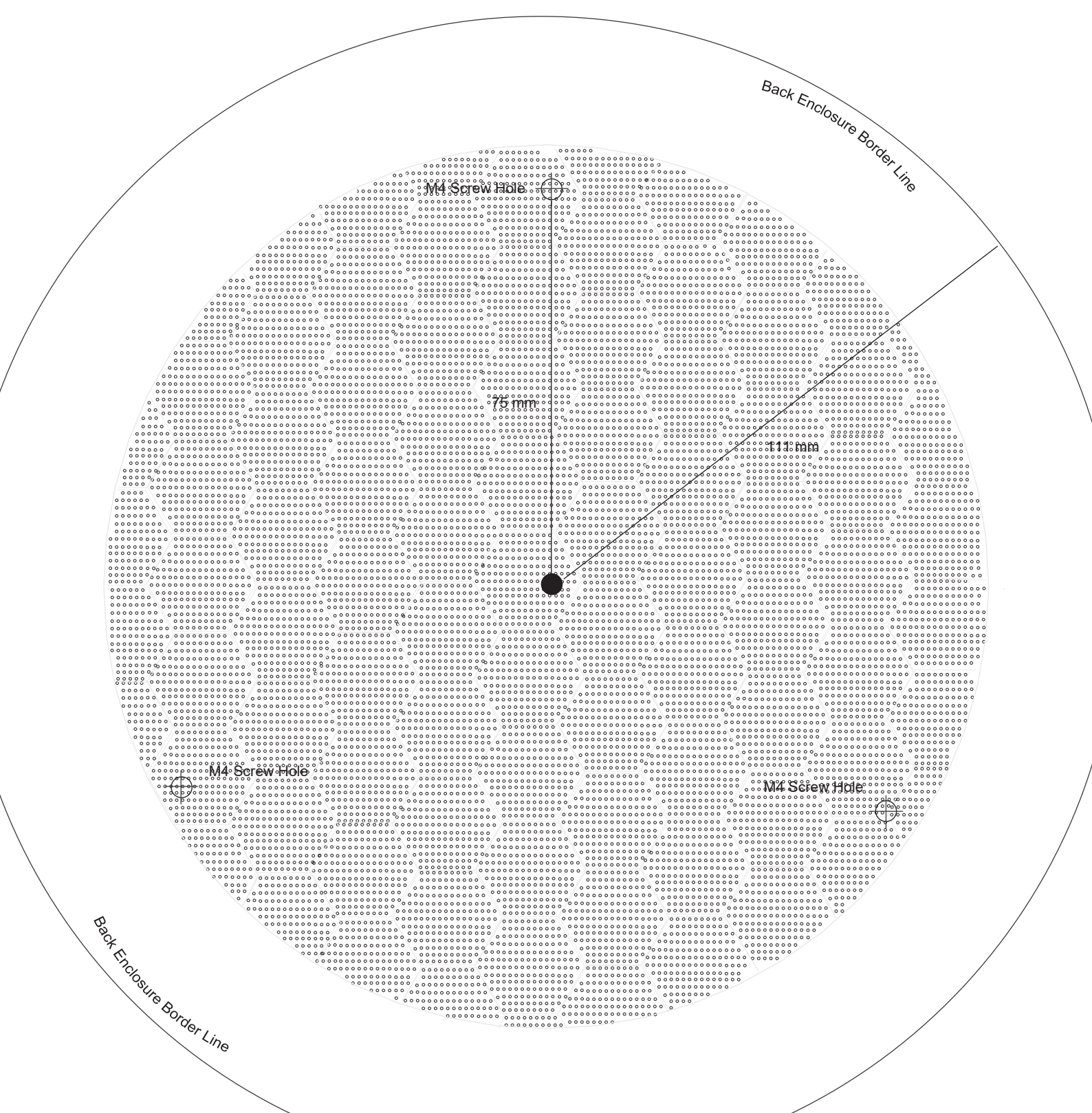


Precision Design, Absolute Confidence

CS516

5" 6W 100V Line Ceiling Surface Mount Speaker

SCREW MOUNTING TEMPLATE



ISO 9001:2015 Design & Manufacture of Public Address Equipment and Systems Certificate No. 16895 / A / 0001 / UK / En

www.ampereselectronics.com