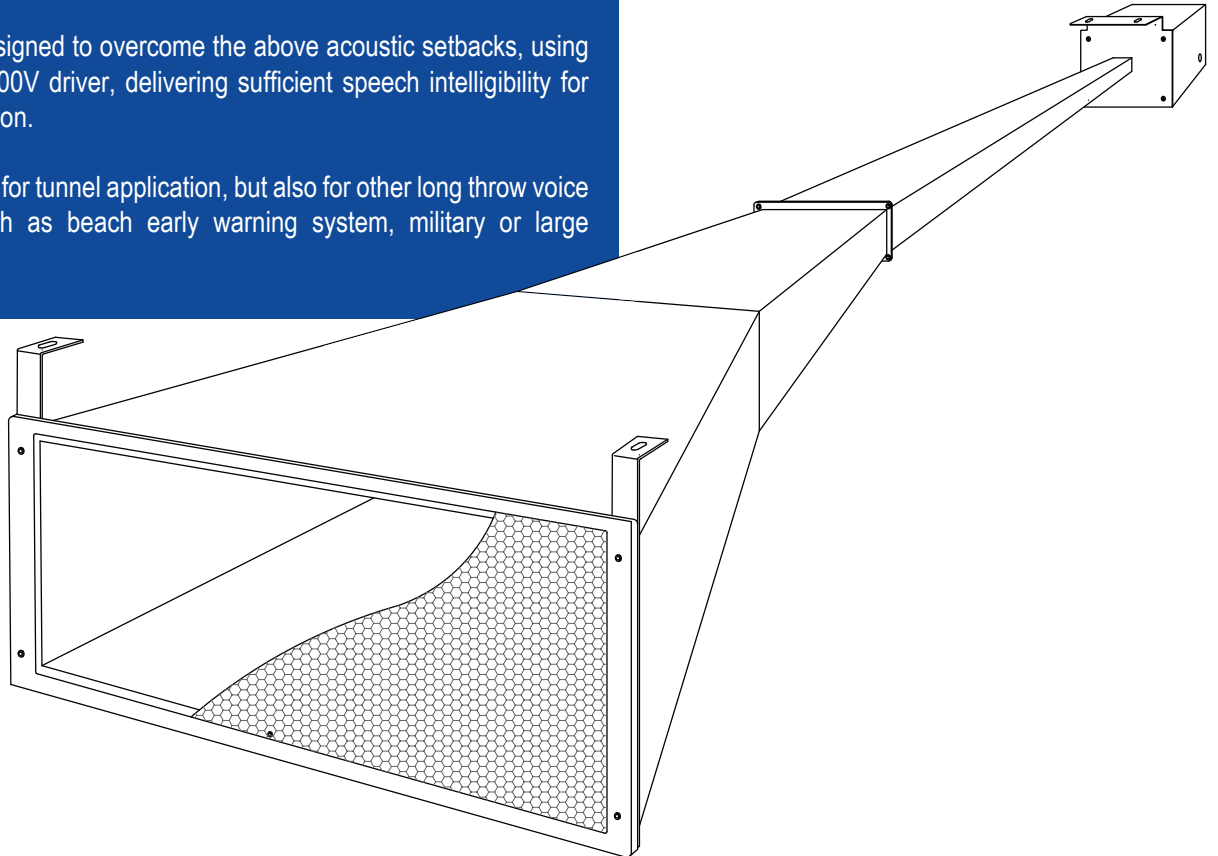


Introduction

Delicate acoustic environment in tunnels, which are contributed by reflective walls or surfaces, high ambient noises from ventilation fans and moving vehicles, would require loudspeakers that is highly powerful and directional. This is to enable the sound projected is focused towards the audience, as well as louder than surrounding noise.

LH100 has been designed to overcome the above acoustic setbacks, using voice band 100W 100V driver, delivering sufficient speech intelligibility for voice alarm application.

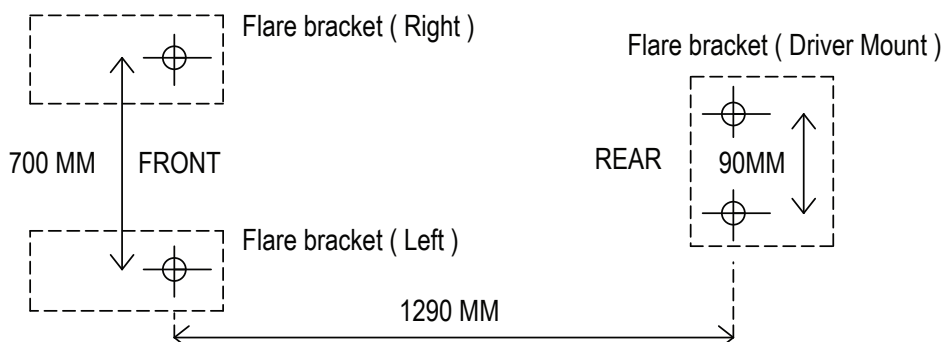
It is not only suitable for tunnel application, but also for other long throw voice announcement, such as beach early warning system, military or large mosques.



Guide to Installations

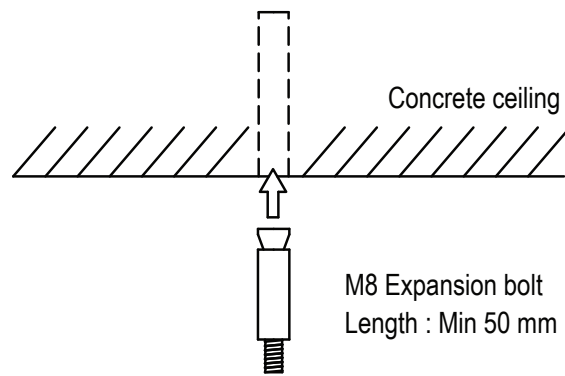
1. Unpacking and check contents.
 - i) Preassembled Horn flares with brackets x 1 set
 - ii) Horn Drivers and enclosure x 1 set
 - iii) Wall plugs / expandable bolts and nuts x 4

Mark the locations install expansion bolts following the dimensions below :
 (This is top view of the speaker)

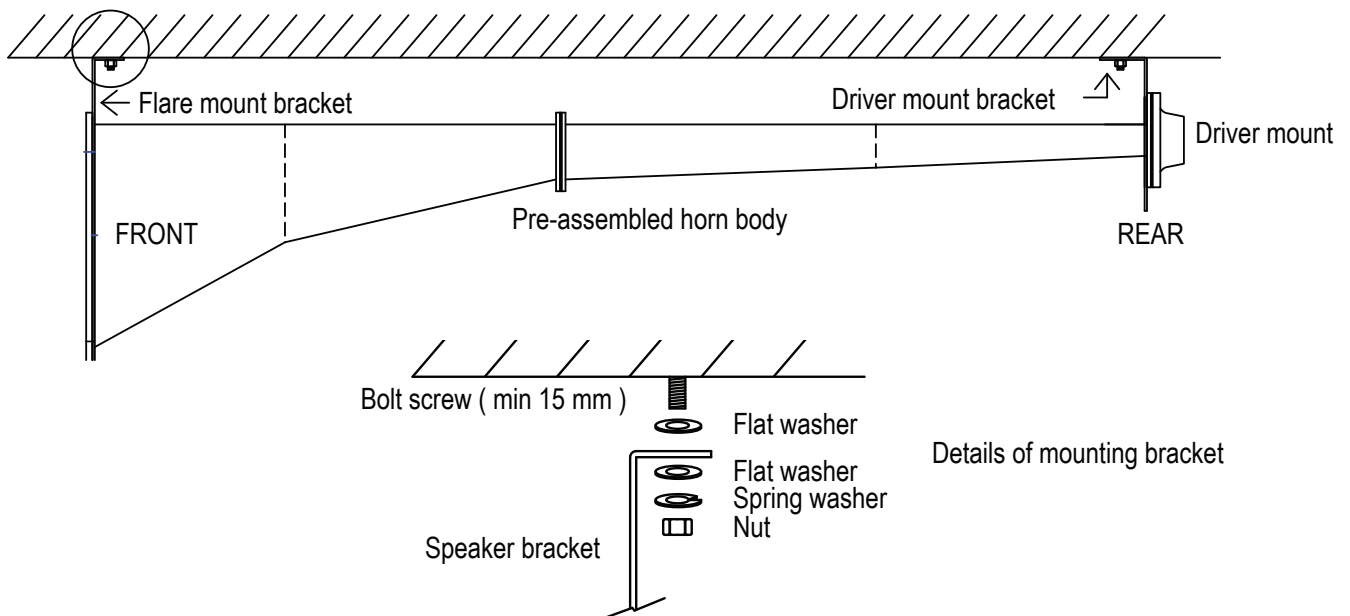


Guide to Installations (Con't)

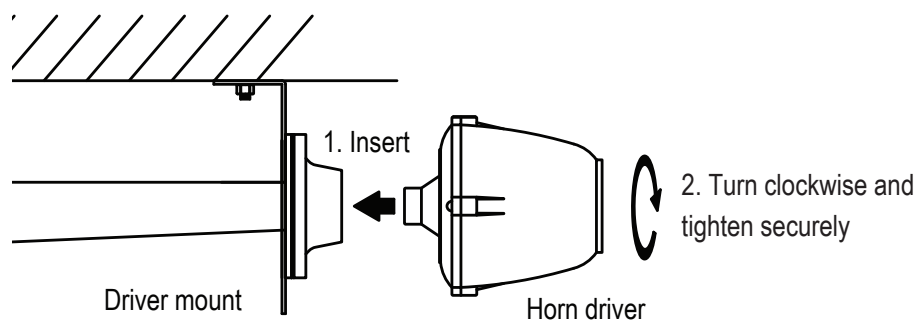
2. Install expansion bolt to concrete ceiling at predetermined locations.



3. Mount the speaker assembly to the ceiling. Tighten securely with washer and spring washer in between.

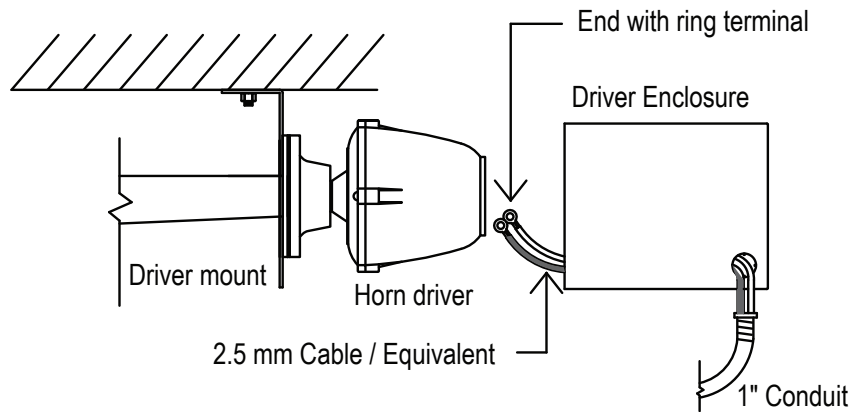


4. Mount the Horn Driver to driver mount.

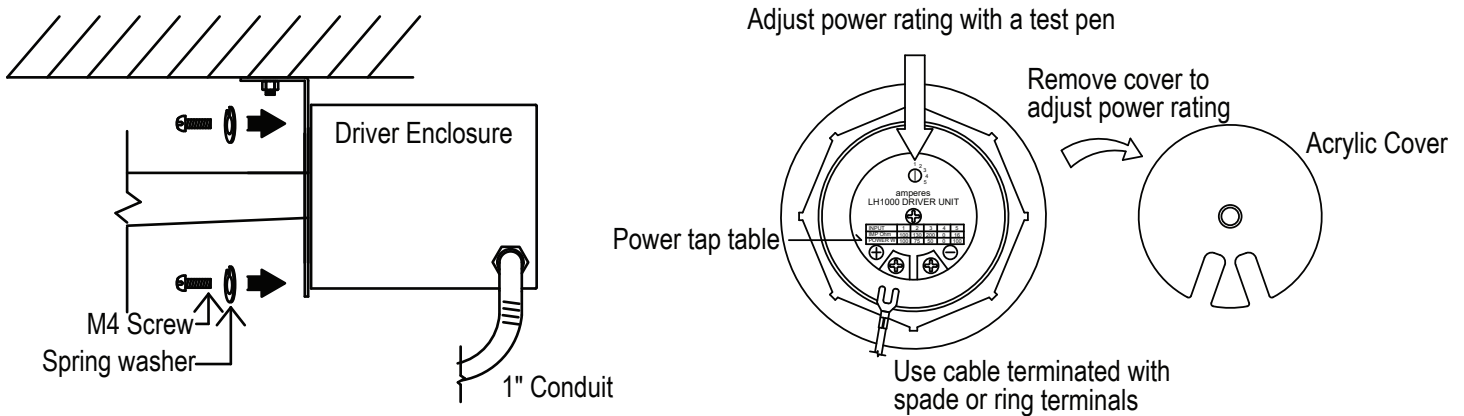


Guide to Installations (Con't)

5. Terminate incoming cable to Horn Driver terminals. Power tapping for the driver can be adjusted using a Test Pen, with position and power tap indicated by the table.



6. Close the Driver unit with the driver enclosure using M4 Screws provided to complete the installation.



Technical Specifications

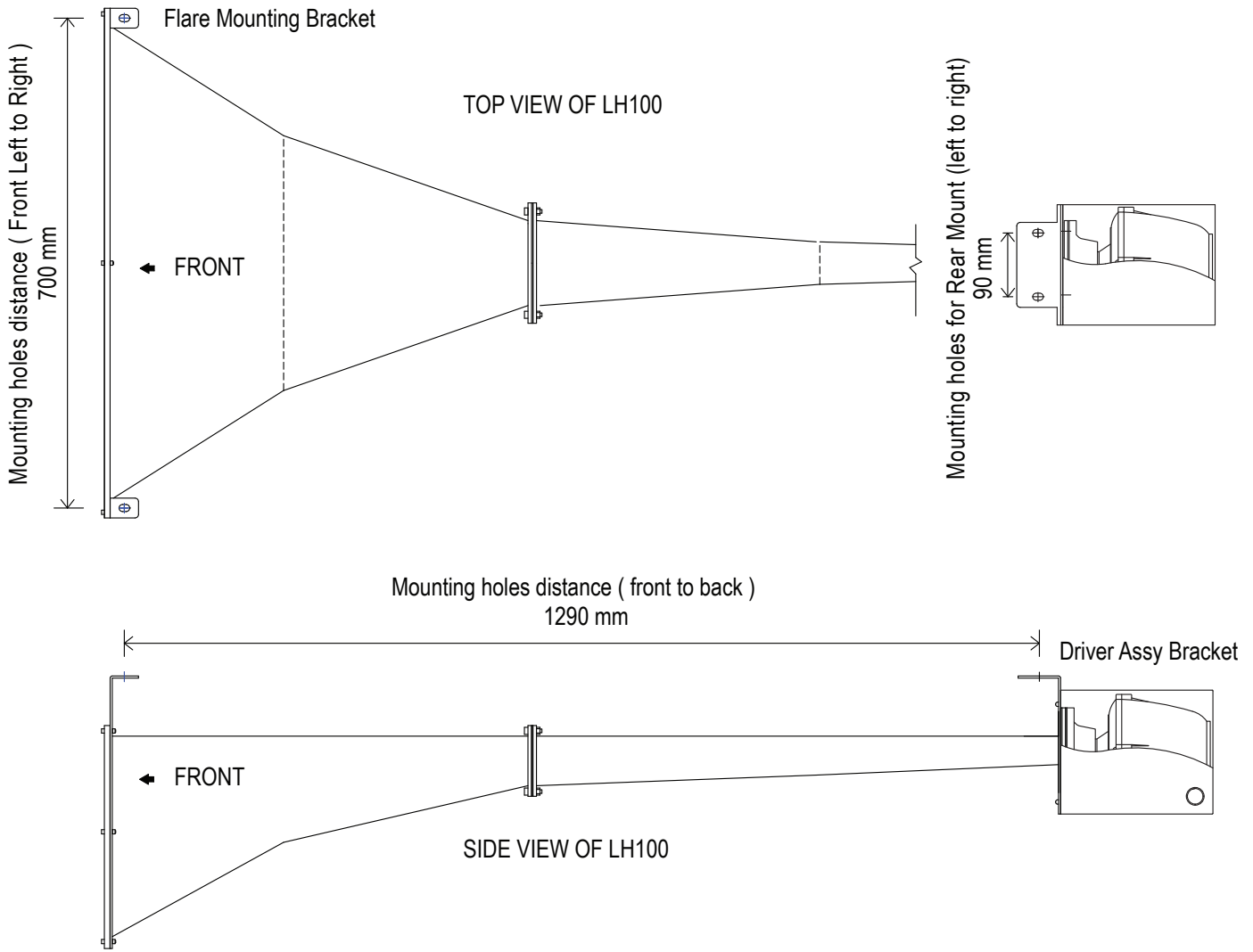
Rated power	100W 100V line
Power tapings	50 / 75 / 100W
Impedance	100 / 150 / 200 Ohm
Driver impedance	16 Ohm

Frequency response	350 - 7 kHz (-10dB)
Sensitivity @1kHz / w / m	115 dB +/- 3dB
Max SPL at rated output	135 dB +/- 3dB
Horizontal dispersion	56 deg (1 kHz)
Vertical dispersion	25 deg top ; 60 deg down

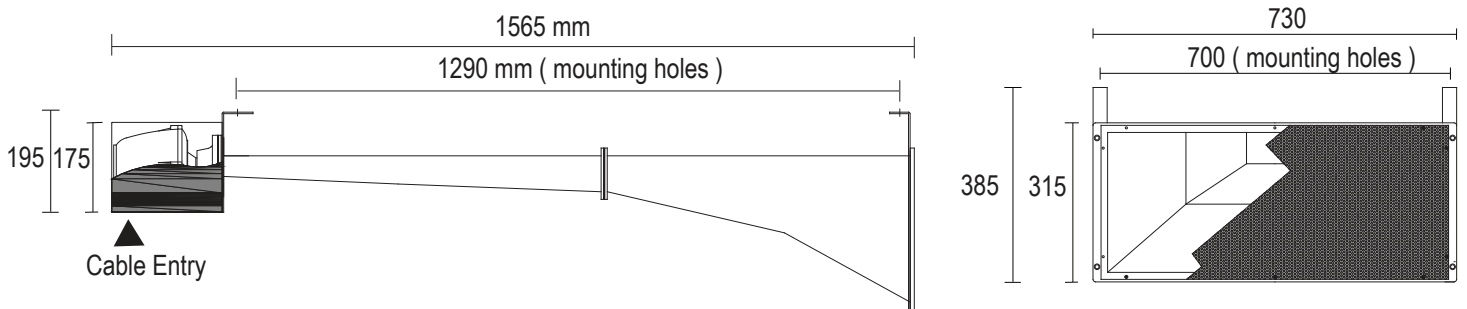
Construction material	Fiberglass FR Rated
Accessories	Aluminum / SS
Mounting	Ceiling mount
IP ratings	54
Min / Max ambient temp	-10 to 60 C

Dimensions (WxHxD) mm	730 x 385 x 1565 mm
Net weight (kg)	6.5
Colour	White / Black

Mounting Dimensions For Brackets



Overall Dimensions



Specifications are subjected to change without prior notice due to product improvement.
Ver 1 / Aug 2021

by **amperes electronics**
www.ampereselectronics.com

