

Introduction

HS822 is constructed with high quality ABS material suitable for indoor and outdoor application (IP 65 rated).

Its rectangular flare provides more controlled audio dispersion and most suitable for areas such as car parks, wide corridors, parks etc.

Packing information

HS822 : 535 (L) x 320 (W) x 650 (H) mm
: 11.9 kg
: 4 uts per carton



Technical Specifications

Power rating	30W 100V line
Power tapping (W)	3 / 5 / 10 / 15 / 30
Primary Impedancer :	1 330 Ohm 2 670 K Ohm 3 1 K Ohm 4 2 K Ohm 5 3.3 K Ohm
Freq response@ 1KHz +/- 3dB	400 ~ 8 KHz
SPL (1 W/m @ 1 KHz)	105 dB
Flare material	ABS
Flare dimension	285 x 205 mm
Overall size	293(W) x 212(H) x 290(D) mm
Driver enclosure	ABS
Weight	2.15 kg
Colour	White cream

Guide to Installations

1 : Unpacking and check contents

Unpack the horn speaker from the box, the following items shall be available:

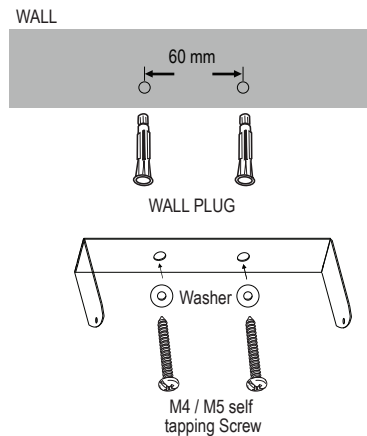
1. Horn unit
2. Horn wall mount bracket
3. Instruction manual

Recommended size for wall screw (not supplied in package):

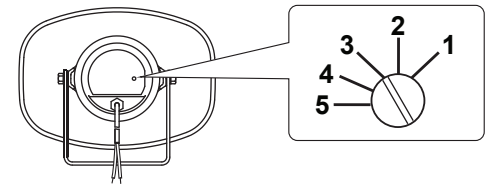
	Diameter	Length
1) Screw	M4/M5	30mm
2) Wall Plug	9mm	30mm

Dismantle the speaker bracket from the unit in preparation to install the speaker bracket to the wall.

2 : Install wall mount bracket to wall



3 : Setting the Input Power (Impedance)



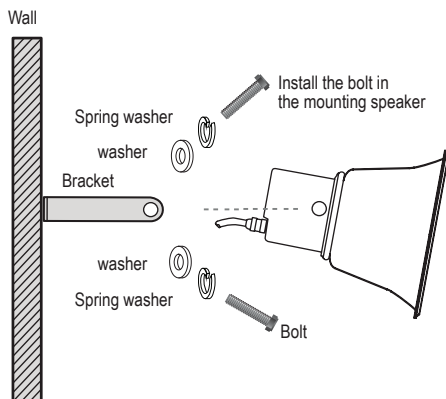
Output power selection chart:

Tap	1	2	3	4	5
Power (W)	30	15	10	5	3
Imp (Ohm)	330	670	1K	2K	3.3K

Before fixing the horn to the speaker, adjust the power rating of the unit, to suit the site requirement.

Turn the rotary switch (on the rear side of the speaker) to set it to the desired input impedance using a slotted screwdriver.

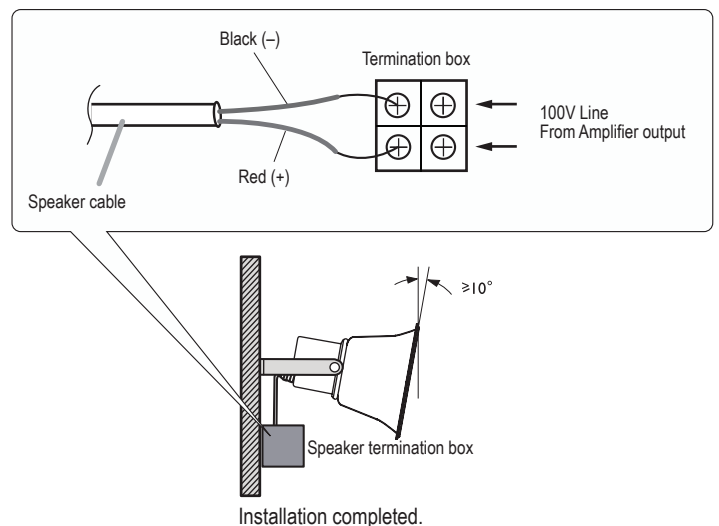
4 : Install speaker to bracket on the wall



With the bracket securely installed to the wall, mount the horn speaker to the speaker bracket with the screw provided.

Tilt the angle of horn unit before final tightening of the speaker to the bracket.

5 : Cable termination



Installation completed.