

Introduction

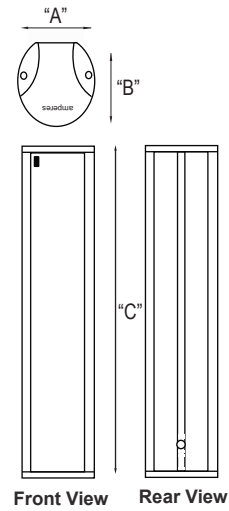
Built ruggedly with aluminum extruded housing and available in 2 power ratings of 60 and 80W 100V line with two power tapings.

Suitable for classrooms, hyper markets, mosques, ballroom, factories, passenger terminals, exhibition areas etc.

Technical Specifications

	CL912	CL916
Power rating	60W 100V	80W 100V
Speaker components	12 x 2"	16 x 2"
Transformer tapping(100V)	50 / 60W	70 / 80 W
Primary impedance (Ohm)	200 / 166	143 / 125
SPL descriptions	89 ± 3dB	94 ± 3dB
Frequency response	220 - 17 KHz	220 - 18 KHz
Dimension (WxHxD) (mm)	782 x 79 x 89	1128 x 79 x 89
Material	Aluminum with powder epoxy metal grille	
Weight with bracket (kg)	3.2	5.8

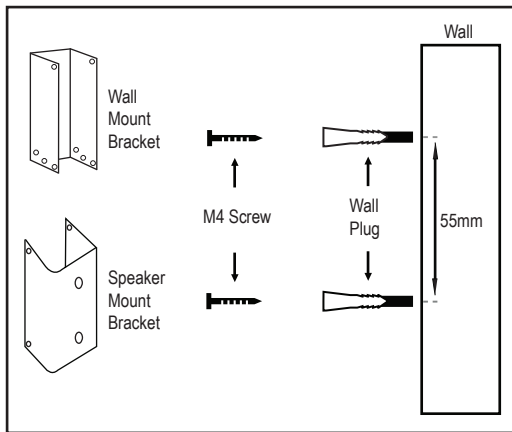
Physical Dimensions



	CL912	CL916
"A"	79 mm	
"B"	89 mm	
"C"	782 mm	1128 mm

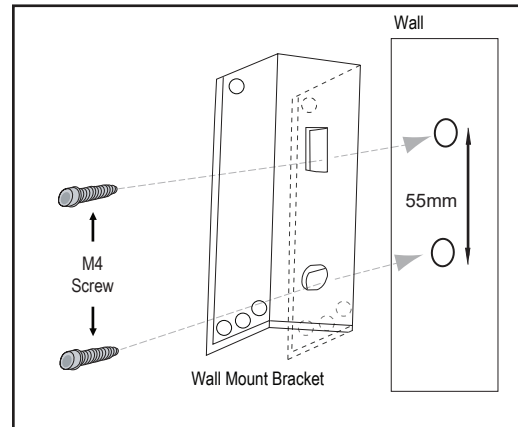
Guide to Installation

1 : Items for Installation

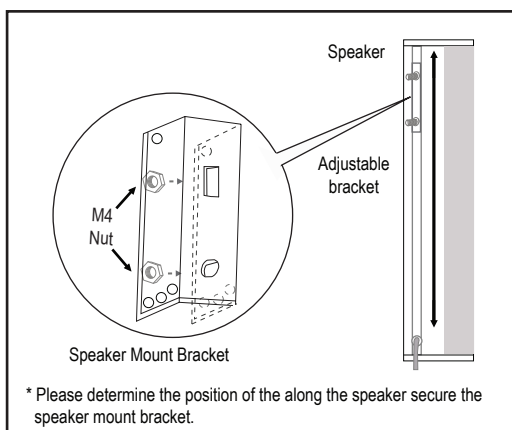


Recommended size for wall screw : **Diameter** **Length**
 1) Screw M4 30mm
 2) Wall Plug 6mm 30mm

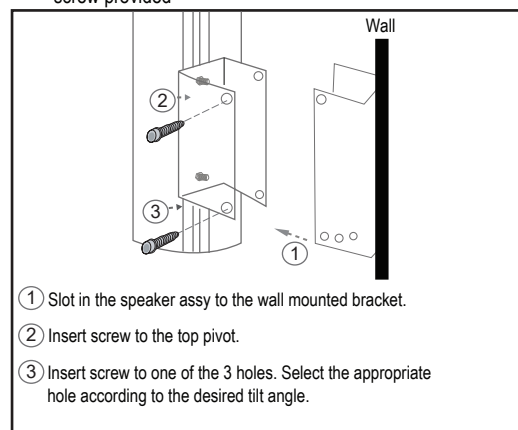
2 : Install wall mount bracket to wall



3: Assemble speaker bracket to the rear of speaker

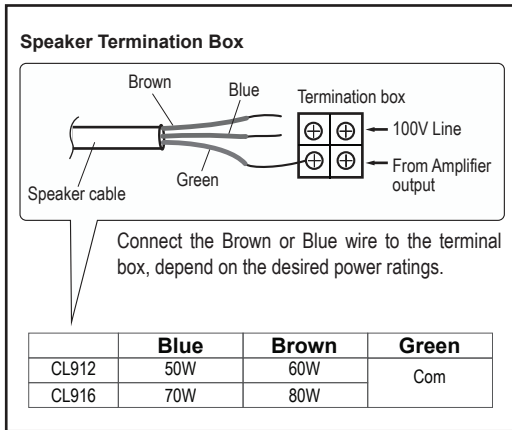


4 : Install the speaker to bracket on the wall, with the long screw provided

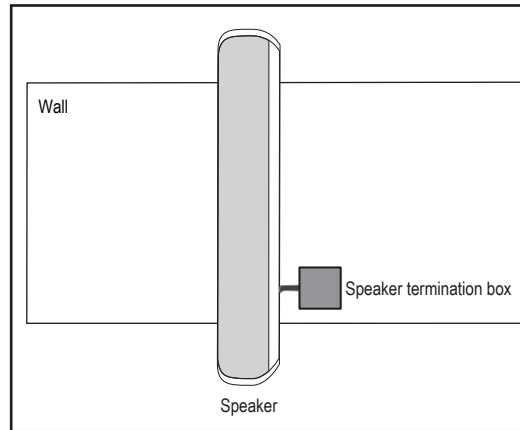


Guide to Installation (Con't)

5: Cable Termination

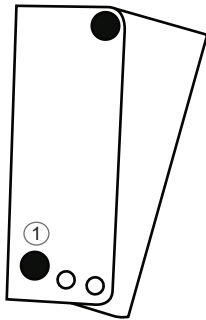


6 : Installation Completed. If the tilt angle adjustment required, refer to step 4. A guideline of the bracket tilt angle as show below.

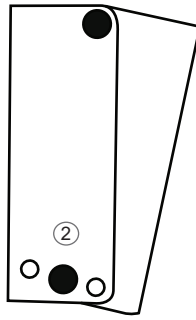


Bracket Angle & Speaker Adjustable

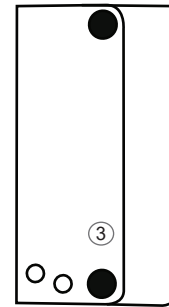
The bracket of speaker have 3 angle are shown in the picture below:



ANGLE 1: 20°



ANGLE 2: 10°



ANGLE 3: 0°

BRACKET TILT

SPEAKER HEIGHT ADJUSTMENT

Overall speaker tilt angle varies between the different models of CL900 Series.

The lower the position of the speaker mounting bracket, the angle of overall speaker would be higher and vice versa.

