



Precision Design, Absolute Confidence

Public Address System

Commercial Installations



**20²²
23**

www.ampereselectronics.com



PD1900 Digital Touch Screen Paging Microphone

PD1900 features 7" capacitive touch screen panel with 800 x 480 pixel resolutions and multiple attractive user interfaces, providing contemporary outlooks and with easy to use design.

It is compatible with all zone decoders, IP Paging client (iPX5151) and MxP2288 Matrix Controller. All settings are done via the user friendly UI such as volume, priority setting, naming of unit etc.

Setup a PD1900 in your reception, it shall definitely bring up the value of your establishment.



Features

- Illuminated gooseneck microphone upon activation
- 7" capacitive colour touch screen panel with 800 x 400 resolutions
- Multiple user friendly interfaces
- Zone groupings
- Unit name setting for easier identifications
- Built in chime / siren with tone setting

Technical Specifications

Operating voltage	24V DC via EX2800 with local power adaptor
Power consumption (24V DC)	1.3 W
Zone selection	Numerical keypad with Grouping, All Call
Microphone	Gooseneck condenser capsule, cardioid
Output impedance	600 Ohm
Output level	1.2 V balanced line out (+4 dBU)
Output controls	Chime, mic volume
<hr/>	
Data connections	RS485 ; 19.2 kbps
Cabling to decoder	2 pair screen : 22 AWG / Cat 5e
Recommended operating distance	300 m, subjected to cable size
Compatible interface device	MxP2288, TD6240, TD6080, TD6400, iPX5155
Chime	Programmable 4 tone Up / Down
Indicators	Zone, power, audio, data, gooseneck mic ring LED
Displays / panel	7" capacitive touch screen, 800 x 480 pixels
Frequency response	100 - 12 kHz 2 1 kHz +/- 3 dB
S/N ratio	> 65 dB @ 1 kHz
<hr/>	
Gooseneck mic length	370 mm
Dimensions (W x H x D)	230 x 192 x 65 mm (excluding mic)
Weight	0.95 kg

Various GUI, providing user friendly setup



Packing information

Carton size : 525 (L) x 270 (W) x 85 (H) mm
 Gross weight : 2.10 kg (incl adaptor)
 1 unit per carton



24 Ch Desktop Paging Microphone **PD1240**
 254 Ch Desktop Paging Microphone **PD1280**



PD1240 and PD1280 are the two of the more popular paging microphones that incorporate soft touch buttons and improved sound quality. All essential features such as priority level assignment, multipoint paging, illuminated gooseneck microphone and volume controls are included.

PD1240 is a 24 buttons zone control with 4 fixed groups and ALL CALL, suitable for small setup.

For larger installations of up to 254 zones, PD1280 will fit into the requirement which comes with large LCD panel and programmable 9 priority levels.

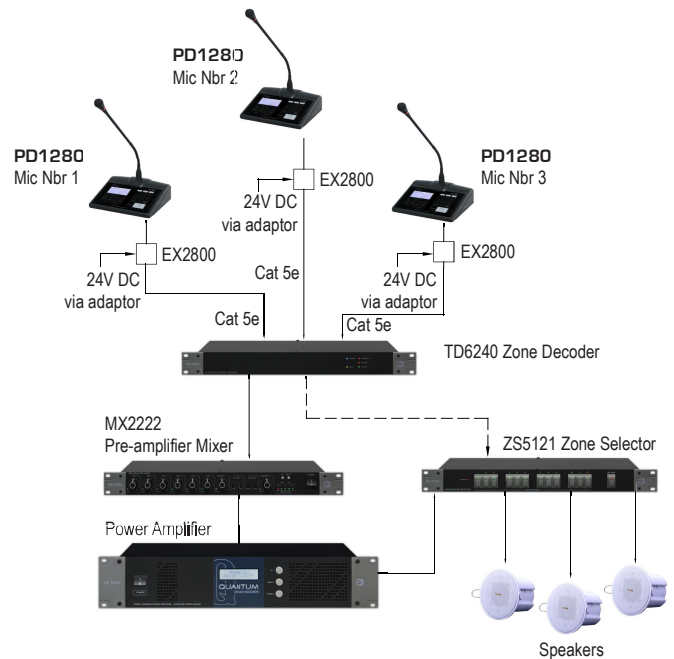
Features

- Sensor touch keypad with impressive outlooks
- LED indicators for PD1240 and large LCD display for PD1280
- Suitable for multipoint paging with priority level setup
- Built in chime with selectable tone for PD1280
- Adjustable volume controls for chime and microphone
- Name setting at PD1280
- Compatible with Matrix Controller , TD Series of Zone Decoder and IP Clients IPX5155

Technical Specifications

	PD1240	PD1280
Operating voltage	24V DC via EX2800 with local power adaptor	
Power consumption	1.2 W	1.3 W
Zone selection	24 zone keys, Group, All Call	Numerical keypad with Group, All Call
Switching selection	Sensor touch keypad	
Microphone	Gooseneck condenser capsule ; unidirectional	
Output impedance	600 Ohm	
Output level	1.2V balanced line output (+4dBu)	
Output controls	Chime, mic volume	
Data connections	RS485; 19.2 kbps	
Cabling to decoder	2 pair screen; 22 AWG / Cat 5e	
Recommended operating distance	500m max (18 AWG cable)	
Compatible interfacing device	MxP2288, TD6240, TD6080, TD6400	
Chime	4 tone up and 4 tone down	
Indicators	Zone, power, audio, data, gooseneck ring LED	
Displays	NIL	LCD display; white back illumination
Frequency response	100 - 12 kHz @ 1KHz +/- 3 dB	
S / N ratio	>65 dB @ 1 KHz	
Gooseneck mic length	370 mm	
Dimension (W x H x D)	230 x 192 x 65 mm (Excluding Mic)	
Weight	0.75 kg	0.85 kg

Application Schematic



Packing information
 Qty per carton : 1 unit
 L x W x H : 525 x 270 x 85 mm
 Weight : PD 1240 - 1.90kg (incl adaptor)
 : PD 1280 - 2.00kg (incl adaptor)



PD2400 24 Zone Paging Microphone

PD2800 254 Zones Paging Microphone

PD1160 8/16 Zones Paging Microphone

PD2000 Series / PD1160 are classic digital paging microphones with built in chime. They are suitable for any scale of installations with multipoint paging setup. Priority settings are available for PD2400 and PD2800. With their harmonised protocols, they are compatible to be used with TD Series of decoders as well as Matrix controller. They can be used in Amperes IP Paging System with the use of Amperes iPX5155 network client.



PD2400

Suitable for mid size installation of up to 24 zones

- 24 direct zone key with 4 groups and All Call
- Built in 4 tone chime with Chime and Mic volume controls
- Up to 3 priority level setting

PD2800

Suitable for large scale installation up to 254 zones

- 254 zones with 9 groupings of 12 zones each for easier access to group paging
- 9 priority level settings, thus enabling multipoint paging with 9 different priorities
- LCD display for easier monitoring

PD1160

Suitable for small scale installation up to 16 zones

- 8 / 16 zones with built in chime
- Dedicated for direct connection to MxP2288 Matrix Controller

Packing information

Carton size : 525 (L) x 270 (W) x 85 (H) mm

Gross weight :

PD2400 : 2.25 kg

PD2800 : 2.25 kg

PD1160 : 1.95 kg

1 unit per carton

Technical Specifications

	PD2400	PD2800	PD1160
Power requirement	24V DC via RJ45 connected to EX2800		24V DC via MxP2288 / TD
Power consumption (24V DC)	170 mA	420 mA	200 mA
Zone selection	24 individual zone key 4 preset groups All Call	Numerical Keypad Programmable grouping All Call	8 / 16 zone keys All Call
Microphone	Condenser cardioid microphone		
Output impedance	600 Ohm balanced		
Output level	1.2 V rms (0 dBu)		
Output controls	Chime / Mic volume		
Data output	RS485 : 19.2 kbps		
Data connections	RJ45 to EX2800 via Cat 5e / 2 pair screen / RJ45 direct to TD6000 / MxP2288		
Operating distance	Recommended at 300 m		
Chime	4 tones Up and Down		
Indicators	Mic ring, zone switch LED	Mic ring, LCD display	Power, source, busy
Frequency response	100 - 12 kHz		
S/N ratio	> 60 dB at 1 kHz		
Gooseneck mic length	370 mm		
Dimensions (WxHxD) mm	292 x 62 x 186 (body only)		150 x 62 x 186 (body only)
Net weight (kg) excluding adapter	1.10		1.00

Desktop Paging Mic **PM1010**

Desktop Paging Mic with Chime **PM1030**



Technical Specifications

	PM1010	PM1030
Operating voltage	24V DC	
Power consumption	0.8 W	1.3 W
Indicators	Active & Gooseneck mic ring LED	Power, Active, Gooseneck mic ring LED
Microphone system	Condenser mic, cardioid	
Dry contact	-	3A max
Audio		
Mic sensitivity	-72 dB Omni directional	
Output impedance	Line : 300 Ohm, Mic : 50 Ohm	
Frequency response	200 Hz - 11 kHz (± 3 dB)	
S/N ratio	80 dB ± 10% @ 1 kHz	
THD + Noise	<0.2%	<0.1%
Output controls	Mic	Chime, Mic
Audio output	Line output; 1.2V rms balanced Mic : 70 mV rms balanced	
Communication		
Cable	2m RJ45 connection at external box	
Output connection	5 way connector at external box	
Gooseneck mic length	370 mm	
Dimensions (W x H x D)	160 x 50 x 120 mm (excluding mic)	
Weight	380 g	400 g

PM1010 and PM1030 are newly designed desktop gooseneck microphones with contemporary outlooks suitable for general purpose paging applications.

PM1010 is a basic version with simple press to talk without chime whereas PM1030 comes with pre announcement chime, paging contact and chime volume controls, which is designed for commercial applications. Both models had been tuned to perform better than its predecessors and shall be the right choice for your paging needs.

Features

- Contemporary design
- Illuminated LED ring gooseneck microphone
- Line level output, suitable for most mixing amps
- 4 tones chime with adjustable volume for PM1030
- Adjustable volume controls for chime and microphone
- Dry contact available for PM1030

Packing information

Qty per carton : 1 unit
 L x W x H : 465 x 240 x 85 mm
 Weight : PM1010 - 1.40 kg (incl adaptor)
 : PM1030 - 1.45 kg (incl adaptor)



- PM1000** Desktop Analogue Paging Microphone
- PM1060** 6 Ch Desktop Analogue Paging Microphone
- PM1120** 12 Ch Desktop Analogue Paging Microphone

The PM1000 Series of analogue paging microphones are available in 3 versions and had been serving the needs of paging for more than a decade.

PM1000 is a simple desktop unit with chime whereas PM1060 and 1120 are versions with 6 and 12 zones respectively.

They are suitable for simple and small applications of less than 12 zones, also compatible for direct zone controls to Amperes MA2000 Series of Mixing Amplifiers, using Cat5e connections.



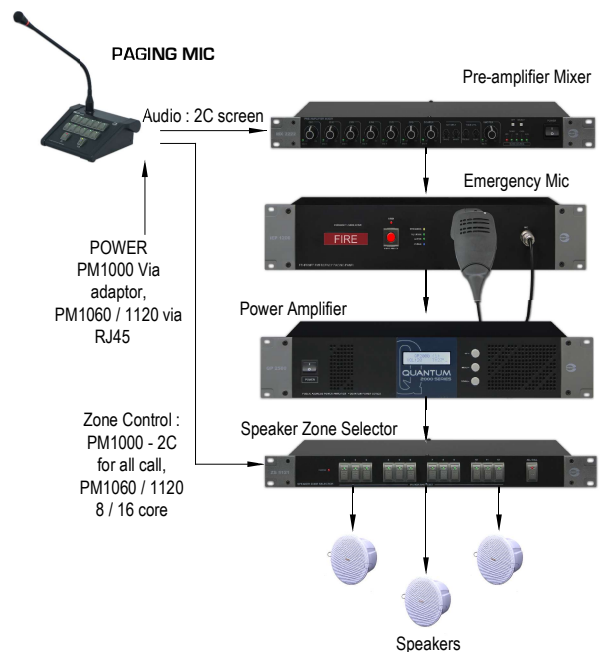
Features

- Condenser gooseneck microphone with illuminated ring
- Pre and post announcement 4 tone chime
- Adjustable chime and mic volume with balance mic / line output level
- Output level selection to mic or line signal to suit the input type of the preamplifier mixer
- Dry contact available when mic is active (PM1000 only)
- 6 or 12 zone selection for PM1060 and PM1120

Technical Specifications

	PM1000	PM1060	PM1120
Power requirement	24V DC adaptor	24V DC via RJ45	
Power consumption	50 mA	150 mA	
Zone selection	ALL CALL	6 and 12 zones w ALL CALL	
Microphone	Condenser microphone cardioid		
Output impedance	600 Ohm		
Output level	1.2 V (line output) / balanced mic (0.75 mV)		
Output dry contact	3 A normally open (PM1000 Only)		
Output controls	Chime and mic level		
Audio connection	1/4 " stereo phone jack		
Switching connection	2 way connector	RJ45	
Operating distance	300 m (recommended)		
Chime	4 tone up and 4 tone down		
Indicators	Mic ring, zone switch, ALL CALL		
Frequency response	100 ~ 12 KHz @ 1KHz +/- 3 dB; 0 dB out		
S/N ratio	> 60 dB		
Gooseneck mic length	370 mm		
Dimensions (W x H x D)	150 x 62 x 186 mm (excluding mic)		
Weight	600 gms	800 gms	850 gms

Application Schematic



Packing information

- Qty per carton : 1 unit
- L x W x H : 525 x 270 x 85 mm
- Weight : PM 1000 - 1.55 kg (incl adaptor)
- : PM 1060 - 1.15 kg
- : PM 1120 - 1.20 kg



PAGING MICROPHONES

Emergency Paging Panel EP1200



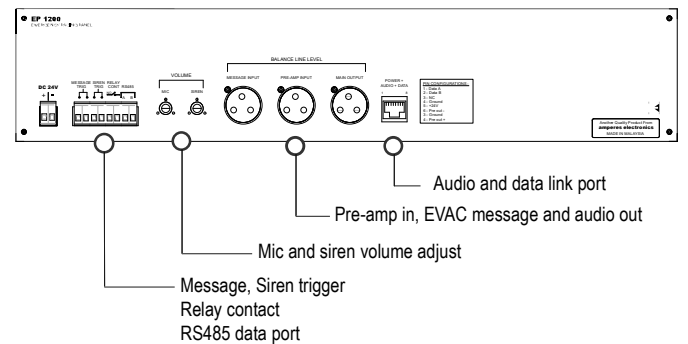
EP1200 ; Emergency Paging Microphone is one of the most important equipment in PA installation, essential to make highest priority broadcast during emergency situation. It allows direct paging to all zones and bypass any active BGM or normal paging in progress.

EP1200 has built in siren tone generator which can be activated at front panel as well as remotely when connected to FAP or external distress switch. Communication port is available for external interface such as connecting to iPX5155 of Amperes IP PA System.

Features

- Built in siren tone generator (constant signal)
- Visual FIRE indicator
- External voice message activation
- Dual mode siren tone activation
- Dry contact when paging mic is activated
- Priority paging via front panel microphone, bypassing all other audio sources
- Output level controls for siren and message / paging microphone

Rear view of EP1200



Technical Specifications

Power requirement	24V DC
Power consumption	3.5W

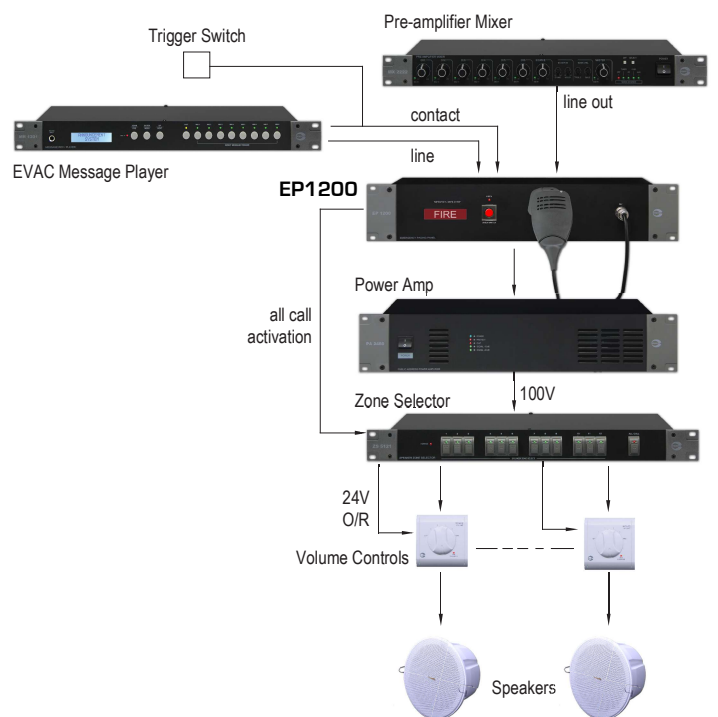
MICROPHONE	
Mic sensitivity	-72 dB Omni directional
Impedance	600 Ohm
Frequency response	300 ~ 8 KHz

SIREN	
Siren frequency	Continuous at 8 KHz
Siren duration	Continuous when activated
Siren activation	Front test switch / remote contact

Input channel	Pre-amplifier output, message recorder
Output level	Balanced line out +4dBu max
Priority sequence	Paging mic - siren - message - pre amp in
Indicators	Front FIRE with backlight illumination
Dimension (W x H x D)	482 x 88 x 180 mm
Weight	2.80 kg

Application Schematic

Application in conventional system



Packing information

Carton size : 555 (L) x 295 (W) x 165 (H) mm
 Gross weight : 3.75 kg
 1 unit per carton



CD1001

Integrated CD / DVD / USB / BT / FM Tuner

CD1001 is rack mounted integrated media player with built in speaker and headphone jack. Suitable for BGM source player in PA installations.



Features

- Plays various format of DVD / CD audio, MP3 from USB
- FM tuner with 8 station presets
- Bluetooth receiver for playback from external devices
- Local headphone jack
- Monitoring speaker with volume controls

Packing information

Carton size : 555 (L) x 295 (W) x 165 (H) mm
Gross weight : 5.2 kg
1 unit per carton

CD1002

Integrated Dual Ch CD / DVD / USB / BT / FM Tuner

CD1002 is a compact integrated player with independent dual outputs which can be used for playing two BGM simultaneously. It is suitable for all PA setups such as Matrix system and uninterrupted paging.

new



Features

- Plays various format of DVD / CD audio, MP3 from USB and FM tuner.
- Bluetooth receiver available for receiving external audio transmission
- Independent dual outputs for simultaneous dual BGM playback

Packing information

Carton size : 525 (L) x 368 (W) x 120 (H) mm
Gross weight : 4.0 kg
1 unit per carton

MP1020

Dual Ch. Media Player

MP1020 is a simple dual channel media player with USB and SD Card MP3 player, FM tuner and aux input. It is suitable for multi source BGM broadcast such as in the Matrix system.



Features

- Plays various format of MP3 from USB, SD Card and FM tuner.
- Aux inputs with RCA jacks
- Bluetooth receiver available for receiving external audio transmission
- Independent dual outputs for simultaneous dual BGM playback

Packing information

Carton size : 555 (L) x 295 (W) x 95 (H) mm
Gross weight : 2.4 kg
1 unit per carton

Technical Specifications

	CD1001	CD1002	MP1020
Operating voltage	220 - 240V AC		24V DC
Power consumption	1.8 W (240V AC)	2.5W (240V AC)	4.4 W (24V DC)
Channels	1	2	
Playback media	CD / DVD / FM tuner / USB, SD card MP3, Bluetooth		FM / USB SD MP3, Bluetooth
USB playback format	MP3, WAV		
Aux input	Nil		RCA Stereo x 2
Output	RCA stereo line out (0 dBu , 0.775 V)		
Monitoring	Headphone & Speaker	Nil	
Frequency response (CD)	20 - 20 kHz		Nil
S/N ratio	> 80 dB		> 60 dB (USB)
Distortion	< 0.5 % , 1 kHz		
Working temperature	-10 to 55 deg C		
Humidity	85 %		
Dimensions (WxHxD) mm	482 x 88 x 180	482 x 44 x 365	482 x 44 x 180
Net weight (kg)	4.25	2.70	1.80

INPUT SOURCES & CONTROLS

CM1400 Chime and Siren Tone Generator



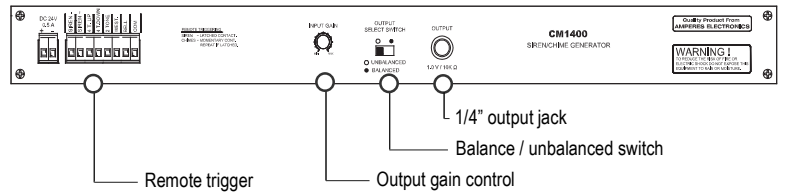
CM1400 offers 5 chimes and 2 siren tones with selectable balanced and unbalanced line output. Activation of chime shall be from front switches or via remote triggering terminals, enabling the unit to be linked to external sensors or triggering system such as alarm panel, remote mic or emergency switch. Siren has priority over chimes.

Technical Specifications

Operating voltage	24V DC via PS9400 PSU
Power consumption	72 mW
Chime types	4 tone up, 4 tone down 2 tones Ringing bell Westminster
Siren type	Constant 8 kHz Wavy siren
External activation	Dry contact
Output	Line +4dBu balanced / unbalanced
Output impedance	10 k Ohm
Dimensions (W x H x D)	482 x 44 x 180 mm
Weight	1.85 kg

Features

- 5 types of chime and 2 siren
- Adjustable output volume
- Selectable output as balanced or unbalanced line
- Front panel switch activation or via remote trigger
- Custom tone service available



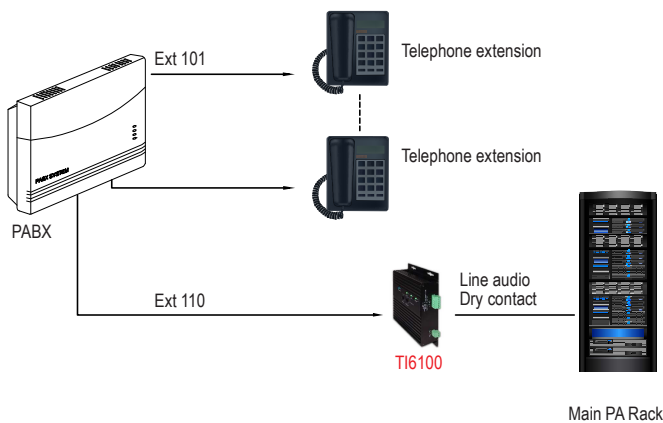
Packing information

Carton size : 555 (L) x 295 (W) x 95 (H) mm
Gross weight : 2.40 kg
1 unit per carton

TI6100 Telephone Paging Interface

TI6100 is an interface for PABX system to PA, allowing paging from any keyphone extension to speakers. It is suitable for analogue / hybrid keyphone systems.

Application Schematic



Packing information

Carton size : 155 (L) x 105 (W) x 125 (H) mm
Gross weight : 0.9 kg
1 unit per carton

