

PAGING MICROPHONES

Emergency Paging Panel EP1200



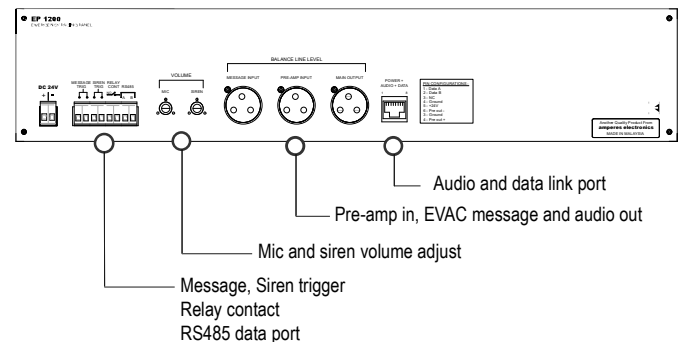
EP1200 ; Emergency Paging Microphone is one of the most important equipment in PA installation, essential to make highest priority broadcast during emergency situation. It allows direct paging to all zones and bypass any active BGM or normal paging in progress.

EP1200 has built in siren tone generator which can be activated at front panel as well as remotely when connected to FAP or external distress switch. Communication port is available for external interface such as connecting to iPX5155 of Amperes IP PA System.

Features

- Built in siren tone generator (constant signal)
- Visual FIRE indicator
- External voice message activation
- Dual mode siren tone activation
- Dry contact when paging mic is activated
- Priority paging via front panel microphone, bypassing all other audio sources
- Output level controls for siren and message / paging microphone

Rear view of EP1200



Technical Specifications

Power requirement	24V DC
Power consumption	3.5W

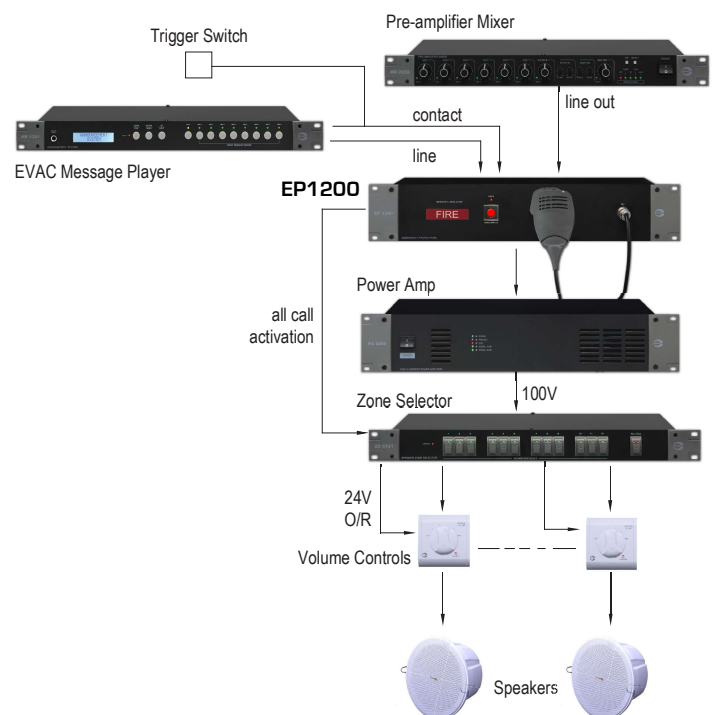
MICROPHONE	
Mic sensitivity	-72 dB Omni directional
Impedance	600 Ohm
Frequency response	300 ~ 8 KHz

SIREN	
Siren frequency	Continuous at 8 KHz
Siren duration	Continuous when activated
Siren activation	Front test switch / remote contact

Input channel	Pre-amplifier output, message recorder
Output level	Balanced line out +4dBu max
Priority sequence	Paging mic - siren - message - pre amp in
Indicators	Front FIRE with backlight illumination
Dimension (W x H x D)	482 x 88 x 180 mm
Weight	2.80 kg

Application Schematic

Application in conventional system



Packing information

Carton size : 555 (L) x 295 (W) x 165 (H) mm
 Gross weight : 3.75 kg
 1 unit per carton

