

Introduction

SP219 is used when a more directional sound projection is required for areas such as at narrow corridors, tunnels, walkways, etc. It has aluminum body with metal grille and available with standard power rating of 10W 100V line. Mounting position can be either at wall or hung from ceiling.

Packing information

SP219 : 370 (L) x 370 (W) x 600 (H) mm
: 18.00 kg
: 8 uts per carton

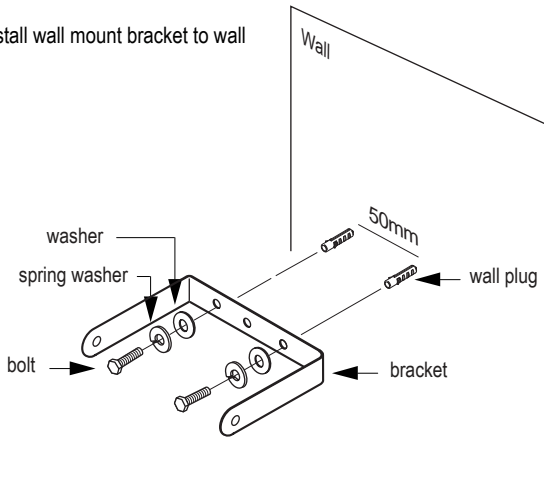


Technical Specifications

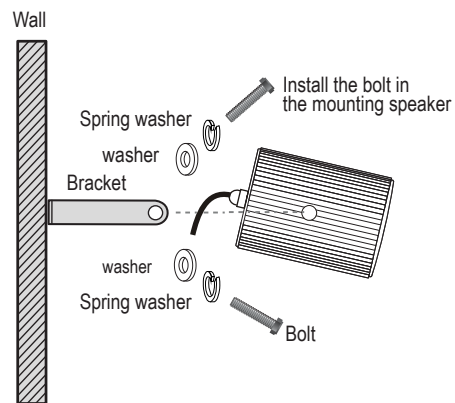
Power rating	10W 100V
Power tapping (100V Line)	2.5 / 5 / 10W
Speaker	5"
Primary impedance (Ohm)	4K / 2K / 1K
Secondary impedance (Ohm)	8
Frequency response @ 1 KHz +/- 3dB	130 - 15 KHz
SPL (1W / m @ 1 KHz)	91 dB
Grille / enclosure	Mild Steel / Aluminum
Overall size (WxHxD) mm	138 (D) x 205 (H)
Weight	2.00 kg
Colour	White

Guide to Installations

1 : Install wall mount bracket to wall

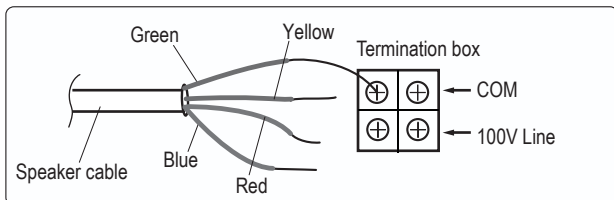


2 : Install speaker to bracket on the wall



3 : Cable termination

Speaker Termination Box



Connect the Green, yellow, red or Blue wire to the terminal box, depend on the desired power ratings.

Blue	COM
Green	2.5 W
Yellow	5 W
Red	10 W

4 : Installation complete

