



FI6000 has been improved and LAN interface has been added for the ease of programming via web interface instead of application software. Plug in your PC directly to the unit using LAN cable or via network switch to perform settings. With this feature, remote support shall be made possible via internet for programming purpose.

It is a phase evacuation controller, an essential intermediary device between Fire Alarm Panel and PA System enabling zone controls and playback of various EVAC messages. ie. A sequence of preset activities shall be carried out whenever a dry contact signal is received from FAP, such as triggering certain zones, broadcast a particular message and so forth, which is a part of EN54 / BS5839 Part 8 requirements.

Features

- ▶ Integration with Amperes products via RS485 interface and Fire Alarm System via dry contacts
- ▶ Available in 24 zone per panel and scalable to cater for larger number of zones
- ▶ Easily programmable for phased evacuation announcement
- ▶ Bicolour LED status indication for each incoming sensors
- ▶ Web interface programming with LAN port and application software is not required

Configurator interface enables a sequence of events for any triggered alarm from FA Panel.



Technical Specifications

Input :

Operating voltage	24V DC
Current source idle	20mA
Current source channel and relay trigger	0.10A
Power consumption idle	0.36W
Device communication protocol	RS485
Baud rate	19200 bps
LAN port	10 / 100 T Base
Channel input	24 Channel
Programming	Web browser preferably Google Chrome

Output :

Channel output (dry contact)	4 Channel
Contact rating	3A
LED indicator	28 LEDs

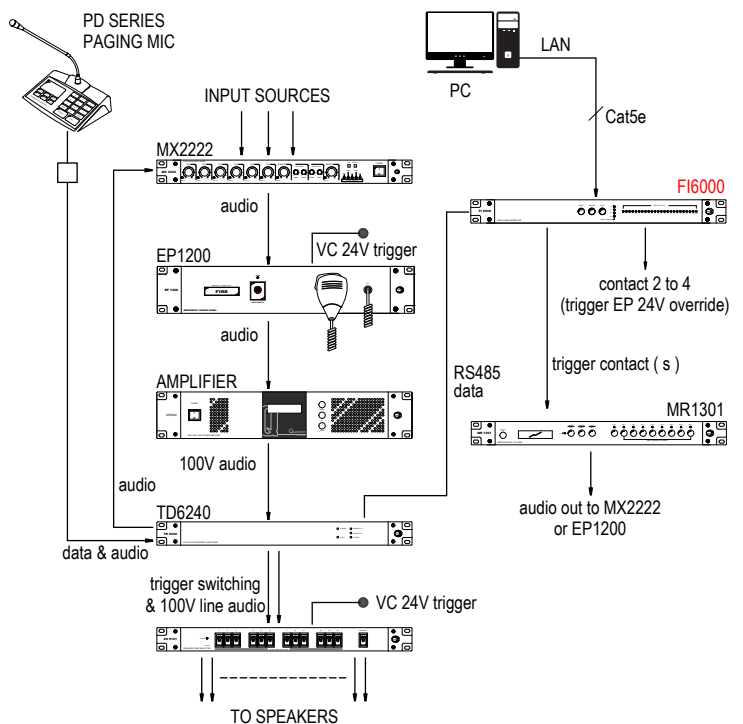
Case :

Dimension (W x H x D)	482 x 44 x 180 mm
Weight	1.90 kg

Rear View:



Application Schematic



Packing information

Qty per carton	: 1 unit
L x W x H	: 555 x 295 x 95 mm
Weight	: 2.55 kg