



Technical Specifications

Speaker

Power rating	20W 100V line
Diameter	4" (100 mm)
Speaker type	2 way speaker with tweeter
Impedance	8 Ohm
Freq response @ 1kHz +/- 3dB	105 - 18 kHz
SPL @ 1W / m (+/-3dB) 1 KHz	87 dB

Transformer

Tapping (100V line)	10 / 20W
Primary impedance (Ohm)	1K/ 500
Secondary impedance (Ohm)	8

Physical

Grille / enclosure	ABS enclosure with metal grille
Overall size w bracket (WxHxD)	165 x 270 x 170 mm
Weight	2.30 kg
Colour	Black

Packing Information

Carton box dimensions	370 (L) x 370 (W) x 600 (H) mm
Weight	20.30 kg
Packing quantity	8 Uts

Introduction

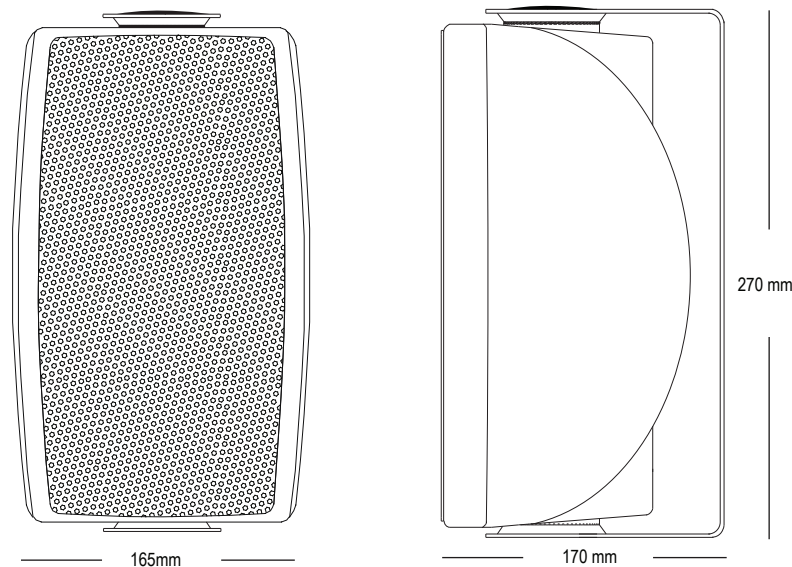
FS425 is a full range speaker, engineered to provide music and speech clarity for various installations such as restaurants, pubs, outdoor parks, etc. It is also suitable for outdoor installations with IP65 rating and can be mounted horizontally or vertically.

Be it a restaurant, pub or cafe, meeting room or lobby, FS425 shall be the exact candidate to choose from.

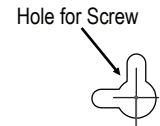
Features:

- IP65 Weatherproof housing
- 10 / 20W 100V line power tapping
- Horizontal / vertical mounting
- Optimised for BGM and Speech

Physical Dimension:



Template for bracket mounting

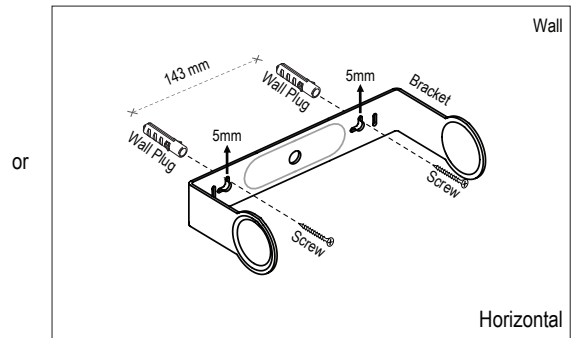
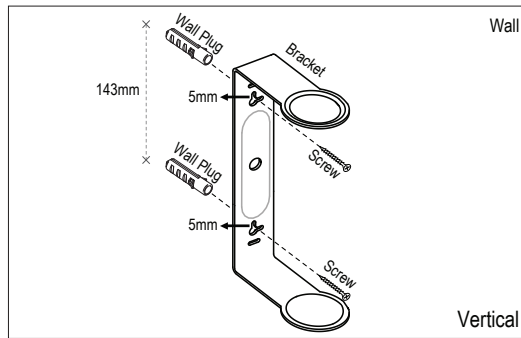


143 mm

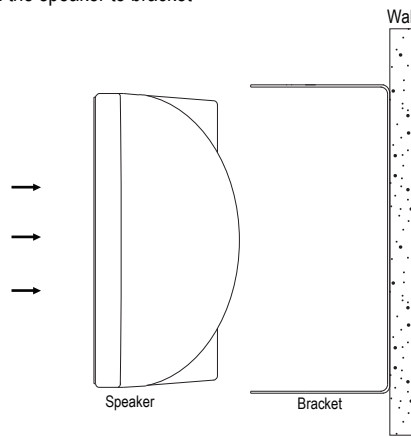
Hole for Screw

Installation Guide

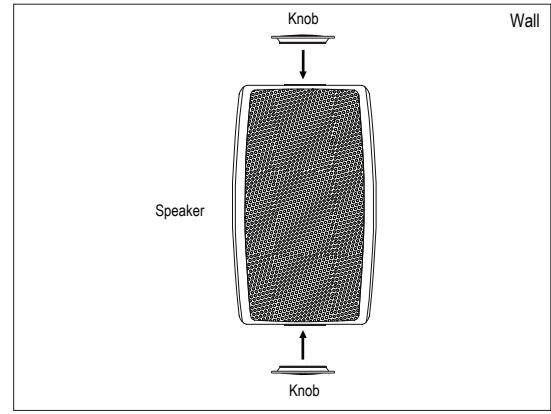
1 Install wall mount bracket to wall, use the template provided to mark the screw position.



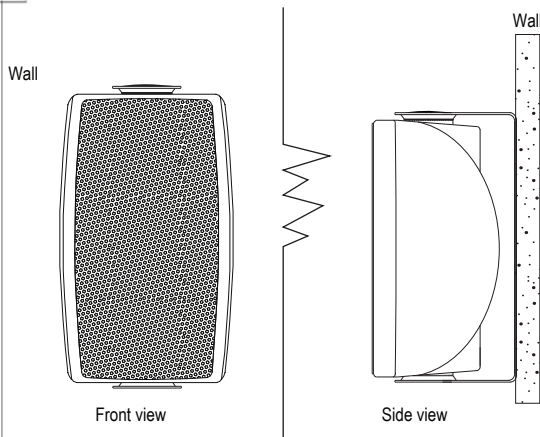
2 Install the speaker to bracket



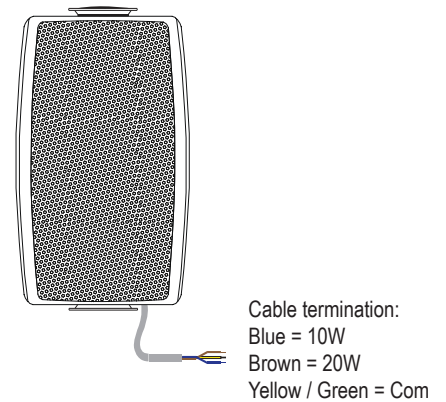
3 Install the knob to speaker



4 Installation Completed



5 Cable Termination



Note :
For Outdoor mounting, we recommend it to be installed in HORIZONTAL position and TILT the speaker downward with approximately 15 deg.

