

Introduction

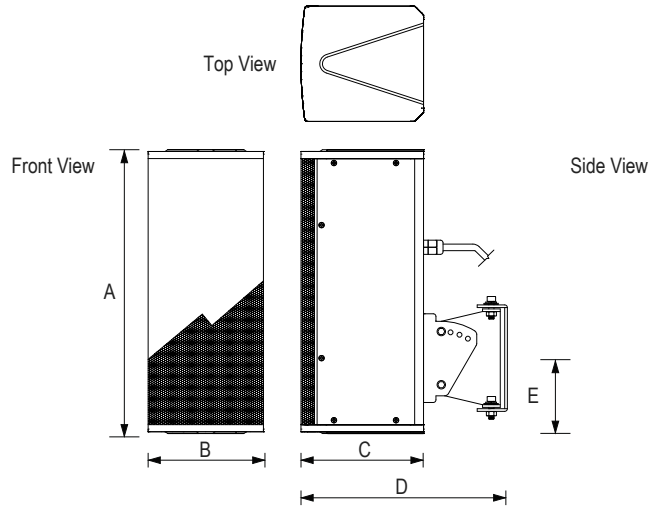
CL740 and 780 are weatherproof column speakers with near full range output, delivering quality sound reproduction from mid to high frequencies. They are built in tough aluminium enclosure and grille, making it suitable for high-humidity and outdoor installations.

Though built for outdoor use, it is also suitable for indoor installations such as in malls, lecture halls, mosques, hypermarkets, airports etc. With its unique heavy-duty mounting bracket, they can be installed in vertical or horizontal positions.

Technical Specifications

	CL740	CL780
Power rating	40W 100V	80W 100V
Speaker components (driver + tweeter)	2 x 4" + 1 x 1"	4 x 4" + 2 x 1"
Transformer tapping(100V)	40 / 25W	80 / 60W
Primary impedance (Ohm)	250 / 400	125 / 167
SPL descriptions	87 ± 3dB	88 ± 3dB
Frequency response	200 - 16 KHz	200 - 17 KHz
Dimension (WxHxD) (mm) - Speaker	130 x 320 x 137	130 x 620 x 137
Material (body & grille)	Aluminum with powder epoxy coated	
Weight with bracket (kg)	3.5	6.8

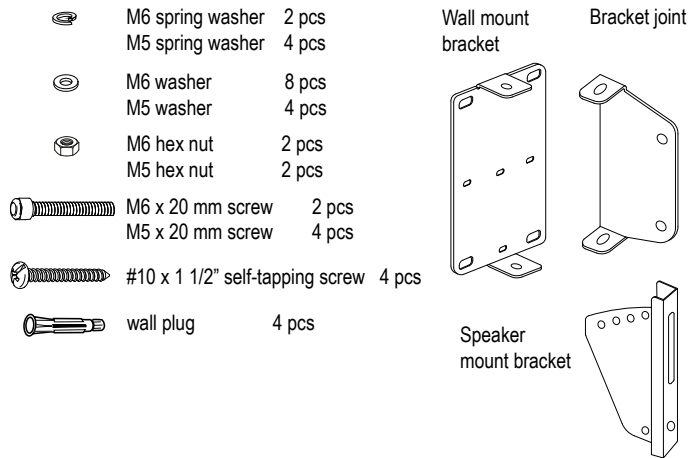
Physical Dimensions



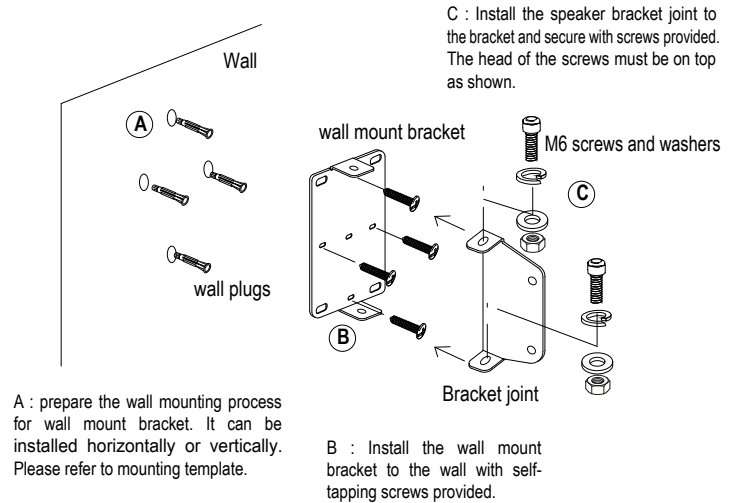
	A	B	C	D	E
CL740	320 mm	130 mm	137 mm	232 mm	87 mm
CL780	620 mm	130 mm	137 mm	232 mm	150 mm

Guide to Installation

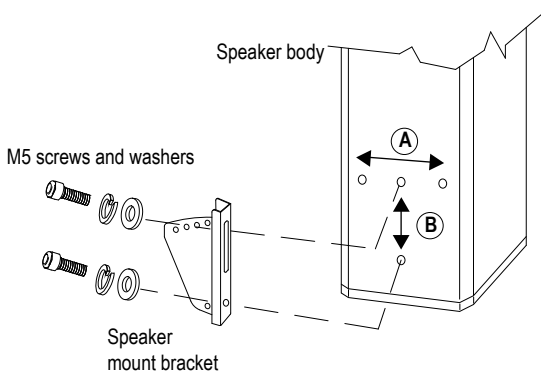
1 Opening of accessories package, with contents shown below.



2 Speaker wall mount bracket and bracket joint installation



3 Attachment of speaker mount bracket to speaker enclosure

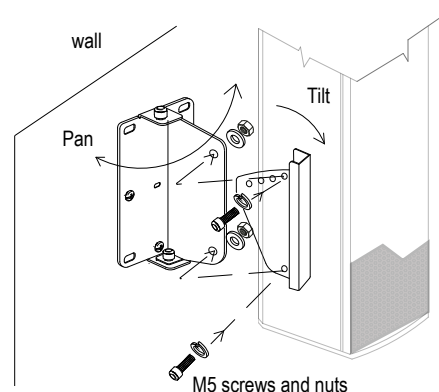


The speaker can be installed in vertical or horizontal orientation, depending on site condition and audio dispersion requirement.

Install the speaker mount bracket to the speaker enclosure either with :

- A - horizontal orientation
- B - vertical orientation

4 Completion of speaker mount

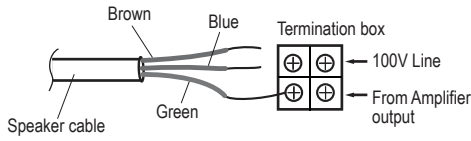


Finally, assemble the completed sub assembly of parts of (2) and (3) with the screws and nuts provided. The speaker's orientation can be adjusted to pan and tilt. Max pan angle is 170 deg and 30 degree tilt for vertical / horizontal mount.

CL740 / 780 Weatherproof Column Speaker

Guide to Installation

5 Cable terminations

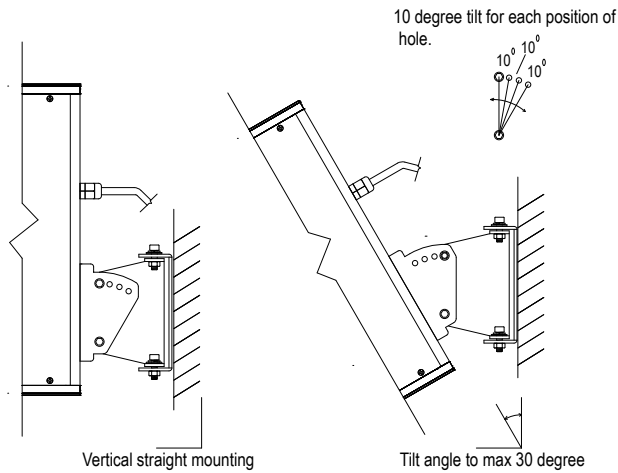


	Blue	Brown	Green
CL740	25W	40W	Com
CL780	60W	80W	

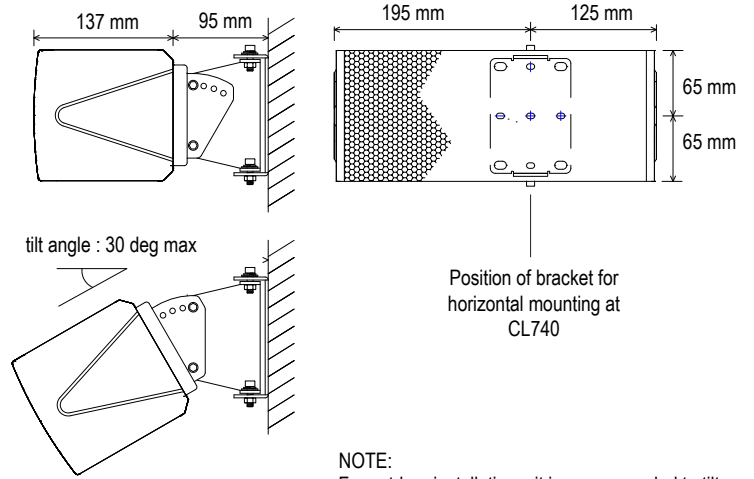
Connect the Brown or Blue wire to the terminal box, depend on the desired power ratings.

Speaker Tilt Angle

Vertical speaker mounting

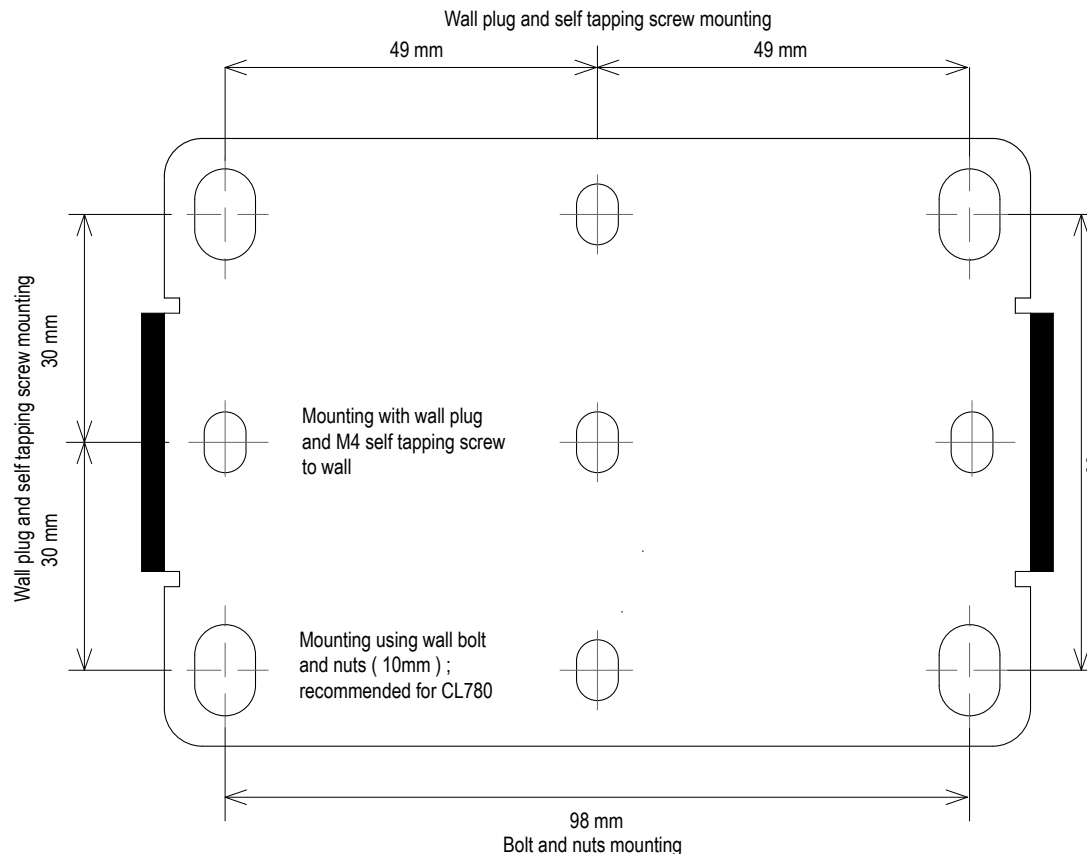


Horizontal speaker mounting (CL740)



NOTE:
For outdoor installations, it is recommended to tilt the speaker downward

Bracket Wall Mount Template



This is the actual size of the wall mount bracket. Always install the bracket vertically for both speaker orientations (vertical / horizontal)

Please print as full size to obtain correct diagram. (Do not print "fit to print area"

