

MONITORING AND CHANGEOVER

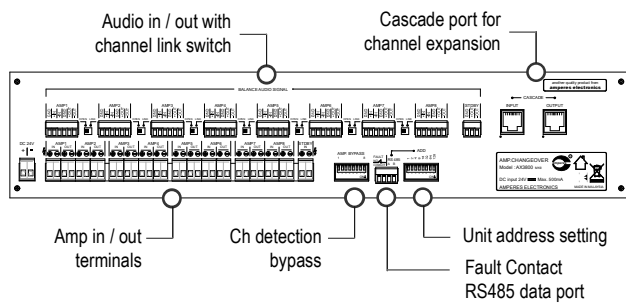
AX3800 8 Duty / 1 Standby Auto Amplifier Changeover Panel



AX3800 has been improved further, offering greater flexibility and simplicity for amplifier fault changeover setup. Cascading is now made easier to enable 1 standby to cater for 16 duty power packs.

With precise circuit design, amplifier fault detection period is greatly reduced to initiate timely changeover to standby unit. The internal pilot tone generation at 20KHz is set at optimum interval to avoid unnecessary loading to amplifiers.

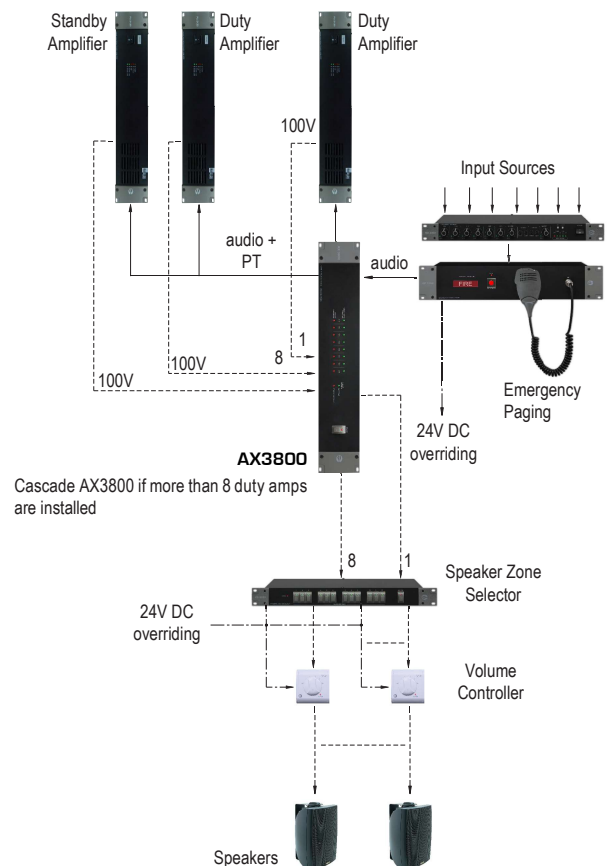
Changeover shall occur at both input and output of amplifiers, making it suitable for application in a matrix system. Priority and single changeover ensures overloading of standby amplifier is avoided, thus providing a reliable and uninterrupted system at most times.



Features

- Cater for 8 duty and 1 standby
- Expandable for 1 standby to cater for more than 8 duty amps.
- Built in Pilot Tone generator, transmit at intervals and senses at sequence to protect amplifiers
- Overloading protection by allowing only a single take over
- Prioritised changeover which higher numbered amplifier shall be preferred for take over if more than two units are down
- Short fault detection time from 7 to 15 seconds
- Changeover at input and output section simultaneously ; suitable for matrix system installations
- Input link switch ; making connection of sources easier
- Channel isolation switch for unused or un-monitored channel
- Individual channel status indicators ; normal, fault and changeover

Application Schematic



Technical Specifications

Operating voltage	24V DC ; 1A
Power consumption	2.5 W (0.11 A)
Standby consumption	2.3 W (0.95 A)
Input signal	8 Ch balanced line signal
Input impedance	10 k Ohm
Audio output gain	Unity
Pilot tone interval	8 seconds / channel
Pilot tone frequency	20 k Hz (+/- 5%)
Detection line	70 / 100 V line
Detection level	5 V rms min
Failure detection time	20 seconds (max)
Failure recovery time	20 seconds (max)
Zone load rating	500W 100V line max (1000W on request)
Status indication LED	Normal ; Fault ; Changeover
Changeover alert	Buzzer with switch
Changeover section	Input and output simultaneously
Dimensions (W x H X D)	482 x 88 x 180 mm
Weight	3.55 kg

Packing information

Carton size : 555 (L) x 295 (W) x 165 (H) mm
 Gross weight : 4.50 kg
 1 unit per carton

