

**Introduction**

SP219 is used when a more directional sound projection is required for areas such as at narrow corridors, tunnels, walkways, etc. It has aluminum body with metal grille and available with standard power rating of 15W 100V line. Mounting position can be either at wall or hanged from ceiling.

**Packing information**

SP219 : 370 (L) x 370 (W) x 600 (H) mm  
: 18.00 kg  
: 8 uts per carton

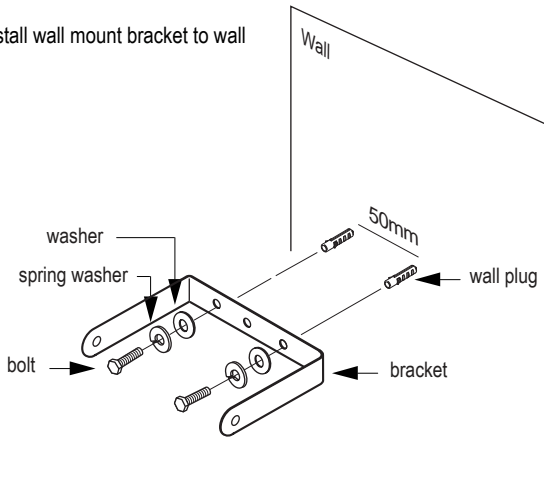


**Technical Specifications**

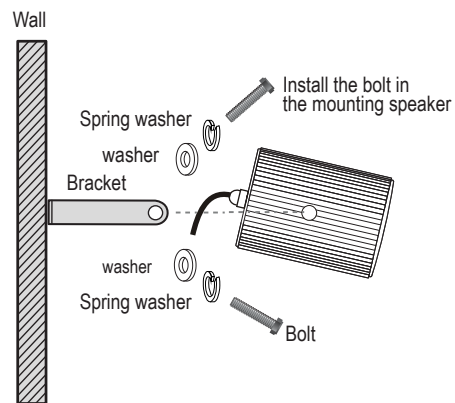
Power rating	15W 100V
Power tapping (100V Line)	7.5 / 15W
Speaker	5"
Primary impedance (Ohm)	667 / 1.3 kOhm
Secondary impedance (Ohm)	8
Frequency response @ 1 KHz +/- 3dB	130 - 15 KHz
SPL (1W / m @ 1 KHz)	91 dB
Grille / enclosure	Aluminum
Overall size mm	138 (D) x 192 (D)
Weight	2.00 kg
Colour	White

**Guide to Installations**

**1 : Install wall mount bracket to wall**

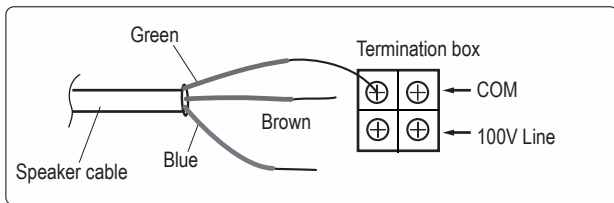


**2 : Install speaker to bracket on the wall**



**3 : Cable termination**

**Speaker Termination Box**



Connect the Green to Com and select either Blue (15W) or Brown (7.5W) to the 100V input.

<b>Green</b>	COM
<b>Brown</b>	7.5W
<b>Blue</b>	15W

**4 : Installation complete**

